

HINO

3000 Series

614 CREW



*Image may contain items not standard to the model

4 x 2 Cab Chassis

KEY FEATURES

- Emission Level: Euro 3 Standard
- Antilock Braking System (ABS)
- Full Disc Wheel Brakes
- Air Conditioner for Rear Passengers
- Telescopic and Tilt Steering Column
- AM/FM Radio with USB,AUX, Bluetooth Audio System

KEY SPECIFICATIONS

- GVM. 5,500kg
- Power 136hp/100kW
- Torque. 392Nm
- Transmissions 5 speed Manual
- Wheelbases mm 3,430.0m
- Overall Lengths mm 6,120.0m

ENGINE

Model	HINO N04C-WG
Maximum Power	100kW (136 PS) at 2,500 r/min (ISO NET)
Maximum Torque	392 Nm (40.0 kgfm) at 1,600 r/min (ISO NET)
Maximum Engine Speed	3,100 r/min
Type	Diesel, Turbocharged and intercooled, 4-cycle, in-line 4-cylinder, overhead valve, water cooled
Combustion system	Compression Ignition, Four Stroke
Bore & stroke	104 x 118 mm
Piston displacement	4.009L
Compression Ratio	18.0 : 1
Engine Oil Capacity	9.4 L
Fuel Injection Pump	Electronic Control Common Rail Type
Air Cleaner and intake	Behind cab mounted roof-height snorkel air intake with air filter, dry paper element
Exhaust Tail	Short Tail Type

CLUTCH

Type	Dry Single Plate with damper Springs, Facing outside diameter 300 mm, automatic gap adjuster
------	--

TRANSMISSION, PERFORMANCE & GEAR RATIOS

Calculations based in 5.5 ton GVM, 7.00R16-12 tire

Production Code(s), Model & Description	XZU710L-ZKMMKV3 RE50, Manual 5-Speeds, With Overdrive	
Max speed (km/h)	119	
Gradeability tanθ (%)	55.6	
GEAR RATIOS	Model	RE50
	1	5.342
	2	2.975
	3	1.604
	4	1.000
	5	0.712
Reverse	4.970	
Rear axle, Gear Ratio (:1)	5.125	

SERVICE BRAKE

Type	Dual-Circuit Hydraulic, Vacuum Assist
Front Wheel Brake	Disc Diameter 296 mm, pad effective area 78.4 cm ²
Rear Wheel Brake	Disc Diameter 281 mm, pad effective area 72.4 cm ²
Exhaust Brake	Equipped
ABS (Antilock Brake System)	Equipped

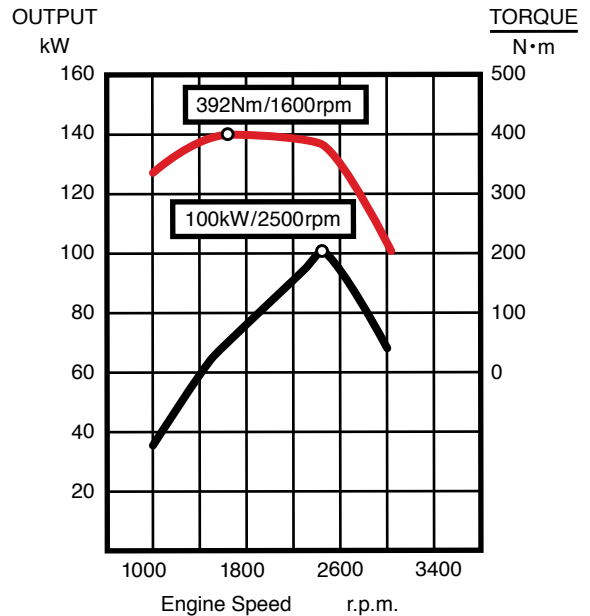
PROPELLER SHAFT

Tube outside Diameter x Thickness	82.6 x 2.3 mm
-----------------------------------	---------------

PARKING BRAKE

Type	Mechanical, Internal expanding acting on transmission output shaft, not folding lever
------	---

POWER & TORQUE CHART (N04C-WG Performance curve)



INSTRUMENTS

Speedometer	Equipped (Km/h)
Multi-Information	Equipped
Tachometer	Equipped (r/min)
Coolant Temperature Gauge	Equipped (with buzzer)
Fuel Gauge	Equipped
Brake Warning	Brake Fluid level and Vacuum Pressure warning lamp and buzzer
Seat Belt Warning	Equipped

AXLE, SUSPENSION

FRONT	Front Axle Type	Reversd Elliot, "I" Section Beam
	Suspension	Semi-Elliptic tapered leaf springs with double acting shock absorbers
REAR	Rear Axle Type	Full-Floating, Single Reduction, Single Speed by hypoid Gearing
	Suspension	Semi-elliptic main and auxiliary tapered leaf springs with double acting shock absorbers

FUEL TANK

Production Code	XZU710L-ZKMMKV3
Tank Capacity	100L
Fuel Filler	Small Diameter Neck
Fuel Filter	Primary (with Water Separator) and Secondary Filter

STEERING

Type	Telescopic and tilt steering column, recirculating ball integral power steering
------	---

WHEELS & TYRES

Tyre size	Front and Rear: 7.00R16 12PR
Spare tyre carrier	Equipped (Rear End)

CAB

Type	Forward control, all steel welded construction, high roof, mechanical tilt with torsion assist
SRS Airbag System	Equipped (Driver and Passenger Side)
Windshield wiper	2-Speed with Wash and Intermittent Feature
Radiator Grille	Cab Colored Type
Outside rearview mirrors	EC type, Long stay with Arabic Caution
Front windshield	Heat absorbing laminated glass
Seating Capacity	Seven
Front Seat	4-way adjustable driver seat, 2-way adjustable split back passenger seat
Instrument Panel Center Cluster	Dark Grey Color
Seat Cover	Fabric Type
Front Seat Belt	3-point ELR (Emergency Locking Retractor) belton driver and outer passenger seat, 2-point NR (Non Retractor) belt on Center Seat
Grab Handle (interior)	Equipped (driver 1+passenger 1+rear 2 and pipe bar)
Sunvisor	Equipped (both Sides)
Door Pocket	Equipped (both Sides)
Inside Mirror	Equipped (EC type)
Cab Trim (Quarter Panel)	Semi Trim
Car Audio	AM/FM Radio with USB, AUX, Bluetooth (2 Speakers)
Air Conditioner	Equipped (with clean air Filter)
Heater and Defroster	Equipped (with Warm up Switch)
Room Light	Equipped
Door Courtesy Switch	Driver Side
Seat Back Pocket	Equipped (Driver Side)
Cigar Lighter	Equipped
Cup holders	Equipped
Tool Set	Equipped
Hydraulic Jack	Equipped
Floor Mat	Vinyl Type
Rear Seat	Fixed, Bench Type
Rear Seat Belt	3-point ELR (Emergency Locking Retractor) belt on driver and outer passenger seat, 2-point NR (Non Retractor) belt on Center Seat
Power Window	Equipped (driver, passenger and Rear)
Power Door Lock	Equipped (driver, passenger and Rear both sides)

CHASSIS MASS (KG):

Chassis mass quoted is to standard specifications with spare tire and standard tool set

Production code Fuel: Full	XZU710L-ZKMMKV3
Total	2505
Front	1635
Rear	870

RATINGS & AXCEL LOAD LIMIT (KG)

	GVM	Front Axle	Rear Axle
Ratings	5500	2260	4300
Axle Load Limit	7.00R16-12	2260	4300

ELECTRICAL EQUIPMENT

System Voltage	24 volt
Batteries	60 Ah (216 kC) at 20-hour rate 55D23L (2)
Alternator	24 V, 60 A
Starter	24 V, 4.5 kW
Headlight	Halogen Type
Diagnoses Connector	Equipped
Horn	Electric Type, Single
Back-up Buzzer	Equipped
Headlight Leveling	Manual Type
Position Light	Equipped (with Parking Light Mode)
Turn Signal Light (front)	Equipped
Stop, Turn, Tail light	Equipped (EC type)
Rear Fog Light	Equipped

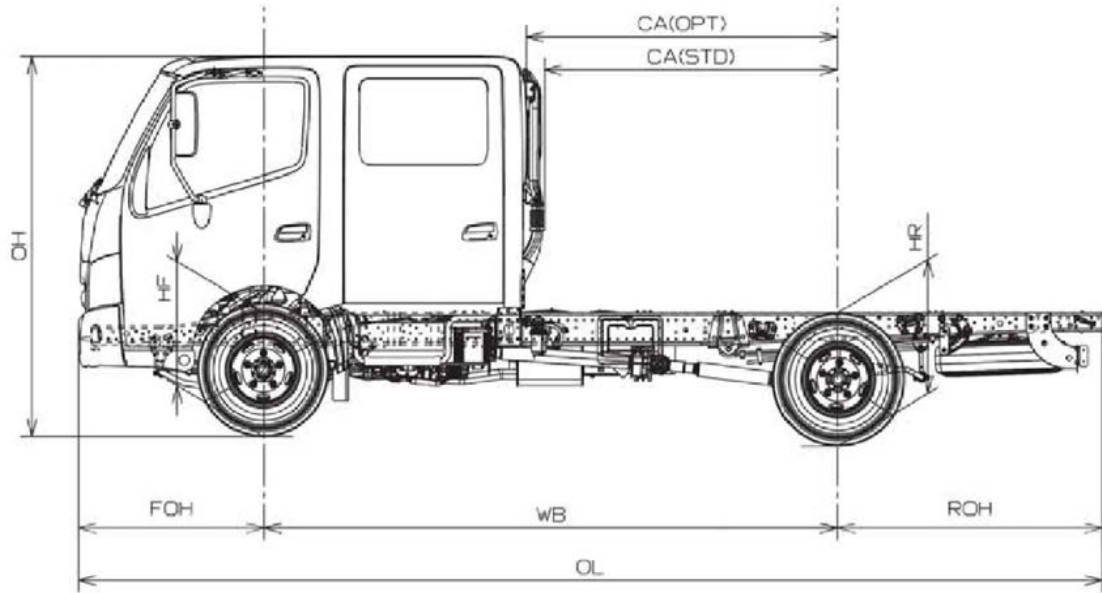
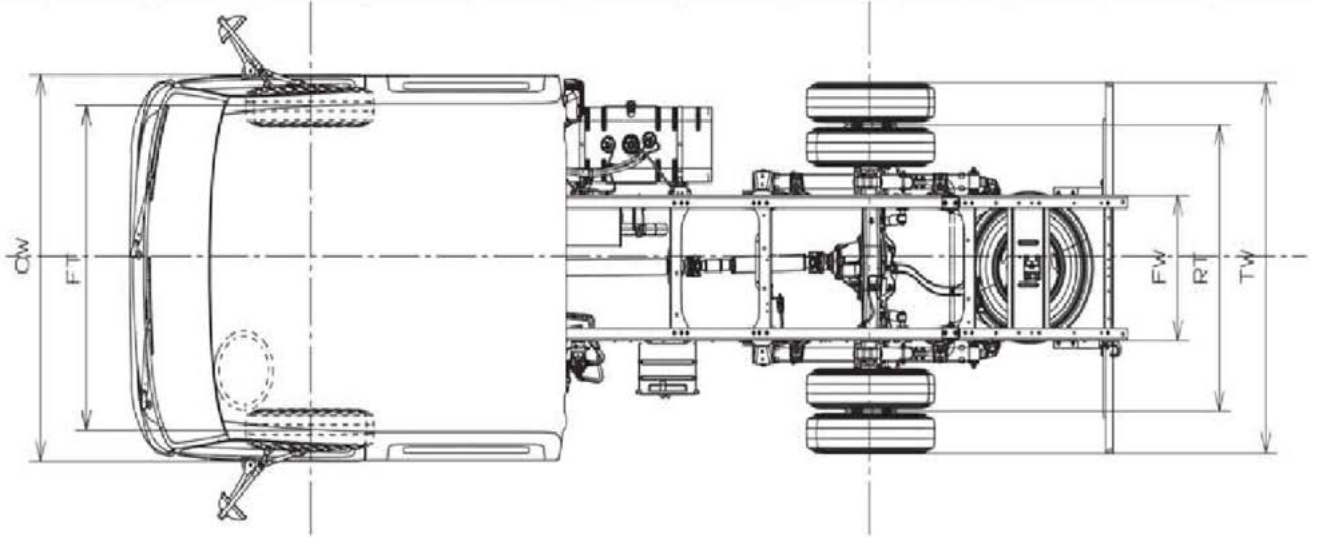
CHASSIS FRAME

Type	Ladder-Shaped Channel Section Side Rails
Front Bumper	Dark Grey Type (Resin)
Rear Bumper	Equipped
Front Underrun Protector	Equipped
Max. Section (depth x flange x thickness)	190.8 x 65 x 4.9 mm
Rear Frame width (at rear)	750mm
Tensile Strength	540 N/mm ² (55 kgf/mm ²)
Tow Hook	Equipped (Front and Rear, with Transport hook)

CHASSIS DIMENSIONS (MM)

All dimensions are to standard specifications and unladen chassis

Model Description	HINO 3614
Product Code	XZU710L-ZKMMKV3
Application	General Use
Wheelbase (WB)	3430
Overall length (OL)	6120
Overall width (OW)	1995
Overall height (OH)	2230
Cab to Axle centre (CA)	1755
Front Overhang (FOH)	1115
Rear Overhang (at Frame end)	1575
Front Chassis Height (HF)	695
Rear Chassis height (HR)	765
Road Clearance (at diff. case) (RC)	190
Front Tread (FT)	1660
Rear Tread (RT)	1480
Turning Radius on tire	5800
Turning Radius wall to wall	6500



Strong Product Support

دعم قوي لمنتجاتنا

الضمان
٣ سنوات أو ١٠٠,٠٠٠ كم



WARRANTY
3 YEARS or 100,000 KMs

جودة خدمة هينو



HINO
QUALITY SERVICE

قطع غيار هينو الأصلية



HINO GENUINE PARTS

فئات مختلفة من
عقود الصيانة



VARIOUS CATEGORIES OF
SERVICE CONTRACTS

الدعم الكلي



TOTAL
SUPPORT

TSUSHO JAMJOOM

92 000 95 44

/HINOTrucksKSA

/HinoTrucksSaudiArabia

الدمام
٩٠٥٨ طريق الملك فهد
حي القشلة الظهران
٣٤٢٣٢-٣٦٩١

الرياض
٤٧٨٢ طريق خريص
حي النهضة الرياض
١٣٢٢١-٥١٠٩

المدينة المنورة
٣٢٠٥ طريق المطار حي
الدوبخلة المدينة المنورة
٤٢٣٦٨-٨٦٠٨

خميس مشيط
٥٢٩٨ طريق الملك فهد
حي أم سرور خميس مشيط
٦٢٤٦١-٧٥٦٧

جدة
٧٩٤٢ شارع مدائن الفهد
حي النزلة الشرقية
٢٢٣٣٥-٣٦٩١

