

HINO

300 Series

614



*Image may contain items not standard to the model

4 x 2 Cab Chassis

KEY FEATURES

- Emission Level: Euro 3 Standard
- Antilock Braking System (ABS)
- Full Disc Wheel Brakes
- Side Door Beams
- Telescopic and Tilt Steering Column
- AM/FM Radio with USB,AUX, Bluetooth Audio System
- Available Automatic Transmission

KEY SPECIFICATIONS

| | |
|------------------------------|--------------------|
| GVM. | 5,500kg |
| Power | 136hp/100kW |
| Torque. | 392Nm |
| Transmissions | 5 speed Manual |
| | 6 Speed Automatic |
| Wheelbases mm | 2,525.0m, 3,375.0m |
| Overall Lengths mm | 4,855.5m, 5,965.0m |

ENGINE

| | |
|------------------------|---|
| Model | HINO N04C-WG |
| Maximum Power | 100kW (136 PS) at 2,500 r/min (ISO NET) |
| Maximum Torque | 392 Nm (40.0 kgfm) at 1,600 r/min (ISO NET) |
| Maximum Engine Speed | 3,100 r/min |
| Type | Diesel, Turbocharged and intercooled, 4-cycle, in-line 4-cylinder, overhead valve, water cooled |
| Combustion system | Compression Ignition, Four Stroke |
| Bore & stroke | 104 x 118 mm |
| Piston displacement | 4.009L |
| Compression Ratio | 18.0 : 1 |
| Engine Oil Capacity | 9.4 L |
| Fuel Injection Pump | Electronic Control Common Rail Type |
| Air Cleaner and intake | Behind cab mounted roof-height snorkel air intake with air filter, dry paper element |
| Exhaust Tail | Short Tail Type |

CLUTCH (MANUAL TYPE ONLY)

| | |
|------|--|
| Type | Dry Single Plate with damper Springs, Facing outside diameter 300 mm, automatic gap adjuster |
|------|--|

TRANSMISSION, PERFORMANCE & GEAR RATIOS

Calculations based in 7.5 ton GVM,

| Production Code(s), Model & Description | XZU600L-WKMMKV3 XZU650L-WKMMKV3 | | XZU600L-WKTMKV3 | |
|---|--|-------|--|-------|
| | RE50, Manual 5-Speeds, With Overdrive | | A860E, Automatic 6-Speeds, with Overdrive | |
| Max speed (km/h) | 126 | | 128 | |
| Gradeability tanθ (%) | 52.1 | | 60 | |
| Model | RE50 | | A860E | |
| GEAR RATIOS | 1 | 5.342 | 1 | 3.742 |
| | 2 | 2.975 | 2 | 2.003 |
| | 3 | 1.604 | 3 | 1.343 |
| | 4 | 1.000 | 4 | 1.000 |
| | 5 | 0.712 | 5 | 0.773 |
| | 6 | N/A | 6 | 0.634 |
| | Reverse | 4.970 | Reverse | 3.539 |
| Rear axle, Gear Ratio (:1) | 4.875 | | 5.375 | |

PARKING BRAKE

| | |
|------|---|
| Type | Mechanical, Internal expanding acting on transmission output shaft, not folding lever |
|------|---|

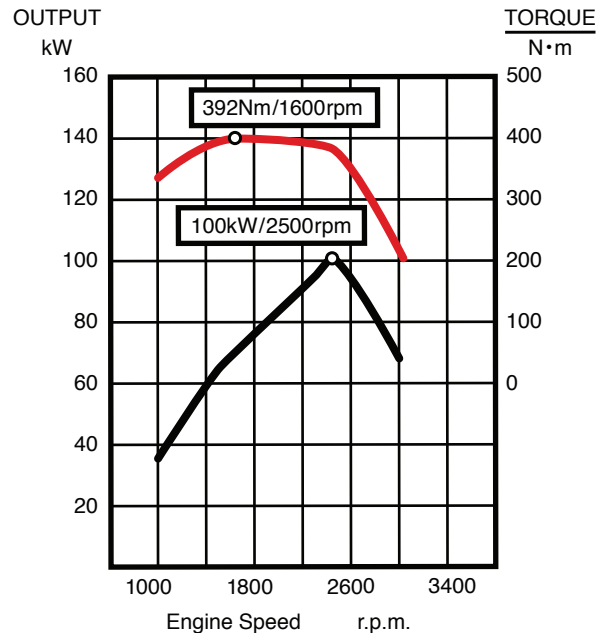
PROPELLER SHAFT

| | |
|-----------------------------------|---------------|
| Tube outside Diameter x Thickness | 82.6 x 2.3 mm |
|-----------------------------------|---------------|

SERVICE BRAKE

| | |
|-----------------------------|---|
| Type | Dual-Circuit Hydraulic, Vacuum Assist |
| Front Wheel Brake | Disc Diameter 296 mm, pad effective area 78.4 cm ² |
| Rear Wheel Brake | Disc Diameter 281 mm, pad effective area 72.4 cm ² |
| Exhaust Brake | Equipped |
| ABS (Antilock Brake System) | Equipped |

POWER & TORQUE CHART (N04C-WG Performance curve)



INSTRUMENTS

| | |
|---|--|
| Speedometer | Equipped (Km/h) |
| Multi-Information | Equipped |
| Tachometer | Equipped (r/min) |
| Coolant Temperature Quage | Equipped (with buzzer) |
| Fuel Guage | Equipped |
| Brake Warning | Brake Fluid level and Vacum Pressure warning lamp and buzzer |
| Seat Belt Warning | Equipped |
| Cab Tilt Warning Lamp | Equipped (with Indicator Light and Buzzer) |
| Auto transmission Fluid Temperature Warning | Equipped (with Indicator Light, Auto Model only) |

WHEELS & TYRES

| | |
|--------------------|------------------------------|
| Tyre size | Front and Rear: 7.00R16 12PR |
| Spare tyre carrier | Equipped (Rear End) |

FUEL TANK

| Production Code | XZU600L-WKMMKV3 | XZU650L-WKMMKV3 | XZU600L-WKTMKV3 |
|-----------------|---|-----------------|-----------------|
| Tank Capacity | 80L | 100L | 80L |
| Fuel Filler | Small Diameter Neck | | |
| Fuel Filter | Primary (with Water Separator) and Secondary Filter | | |

STEERING

| | |
|------|---|
| Type | Telescopic and tilt steering column, recirculating ball integral power steering |
|------|---|

AXLE, SUSPENSION

| | Front Axle Type | Rear Axle Type |
|-------|-----------------------------------|--|
| FRONT | Reveresd Elliot, "I" Section Beam | Full-Floating, Single Reduction, Single Speed by hypoid Gearing |
| | Suspension | Suspension |
| REAR | | Semi-elliptic main and auxiliary tapered leaf springs with double acting shock absorbers |
| | Suspension | |

CHASSIS FRAME

| | |
|---|--|
| Type | Ladder-Shaped Channel Section Side Rails (two-piece module type) |
| Front Bumper | Dark Grey Type (Resin) |
| Rear Bumper | Equipped |
| Front Underrun Protector | Equipped |
| Max. Section (depth x flange x thickness) | 177.8 x 60 x 4.9 mm |
| Rear Frame width (at rear) | 700mm |
| Tensile Strength | 540 N/mm ² (55 kgf/mm ²) |
| Tow Hook | Equipped (Front and Rear, with Transport hook) |

ELECTRICAL EQUIPMENT

| | |
|---------------------------|---|
| System Voltage | 24 volt |
| Batteries | 60 Ah (216 kC) at 20-hour rate 55D23L (2) |
| Alternator | 24 V, 60 A |
| Starter | 24 V, 4.5 kW |
| Headlight | Halogen Type |
| Diagnoses Connector | Equipped |
| Horn | Electric Type, Single |
| Back-up Buzzer | Equipped |
| Headlight Leveling | Manual Type |
| Position Light | Equipped (with Parking Light Mode) |
| Turn Signal Light (front) | Equipped |
| Stop, Turn, Tail light | Equipped (EC type) |
| Rear Fog Light | Equipped |

CHASSIS DIMENSIONS (mm) :

All dimensions are to standard specifications and unladen chassis

| Model Description | HINO 3614 | | |
|------------------------------------|-----------------|-----------------|------------------------|
| Product Code | XZU600L-WKMMKV3 | XZU650L-WKMMKV3 | XZU600L-WKTMKV3 (Auto) |
| Application | General use | | |
| Wheelbase (WB) | 2,525 | 3375 | 2525 |
| Overall length (OL) | 4855 | 5965 | 4855 |
| Overall width (OW) | 1860 | 1860 | 1860 |
| Overall height (OH) | 2145 | 2140 | 2145 |
| Cab to rear Axle centre (CA) | 1920 | 2770 | 1920 |
| Front Overhang (FOH) | 990 | 985 | 990 |
| Rear Overhang (at Frame end) | 1130 | 1575 | 1130 |
| Front Chassis Height (HF) | 665 | 665 | 665 |
| Rear Chassis height (HR) | 735 | 735 | 735 |
| Road Clearance (at diff.case) (RC) | 200 | 200 | 200 |
| Front Tread (FT) | 1,400 | 1,400 | 1,400 |
| Rear Tread (RT) | 1,435 | 1,435 | 1,435 |
| Turning Radius on tire | 5500 | 7100 | 5500 |
| Turning Radius wall to wall | 6100 | 7700 | 6100 |

CAB

| | |
|---------------------------------|--|
| Type | Forward control, all steel welded construction, high roof, mechanical tilt with torsion assist |
| Windscreen wipers | 2-Speed with Wash and Intermittent Feature |
| Radiator Grille | Cab Colored Type |
| Outside rearview mirrors | EC type, Long stay with Arabic Caution |
| Front windshield | Heat absorbing laminated glass |
| Seating Capacity | Three |
| Front Seat | 4-way adjustable driver seat, fixed backpassenger seat integrated type |
| Instrument Panel Center Cluster | Dark Grey Color |
| Seat belts | 3-point ELR (Emergency Locking Retractor) belt on driver and outer passenger seat, 2-point NR(Non Retractor) belt on Center Seat |
| Grab Handle (interior) | Equipped (driver 1 + passenger 1) |
| Sunvisor | Equipped (both Sides) |
| Door Pocket | Equipped (both Sides) |
| Inside Mirror | Equipped (EC type) |
| Cab Trim (Quarter Panel) | Semi Trim |
| Car Audio | AM/FM Radio with USB, AUX, Bluetooth (2 Speakers) |
| Air Conditioner | Equipped (with clean air Filter) |
| Heater and Defroster | Equipped (with Warm up Switch) |
| Room Light | Equipped |
| Door Courtesy Switch | Driver Side |
| Seat Back Pocket | Equipped (Driver Side) |
| Cigar Lighter | Equipped |
| Cup holders | Equipped |
| Tool Set | Equipped |
| Hydraulic Jack | Equipped |
| Floor Mat | Vinyl Type |
| Seat Cover | Fabric Type |

RATINGS & AXCEL LOAD LIMIT (KG)

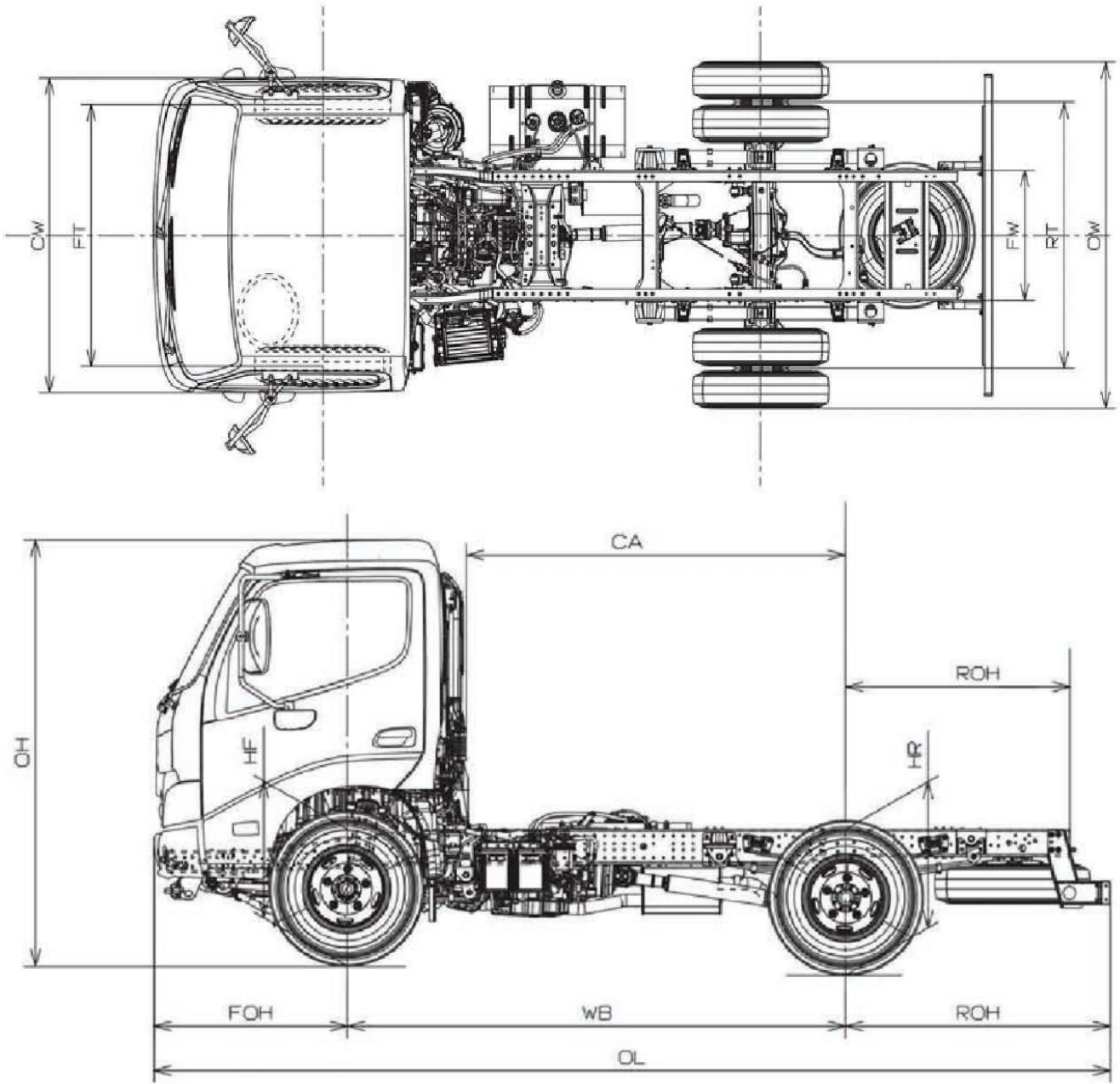
| | GVM | Front Axle | Rear Axle |
|-----------------|------------|------------|-----------|
| Ratings | 5500 | 2460 | 4400 |
| Axle Load Limit | 7.00R16-12 | 2460 | 4400 |

CHASSIS MASS (KG):

Chassis mass quoted is to standard specifications with spare tire and standard tool set

| Production code Fuel: Full | XZU600L-WKMMKV3 | XZU650L-WKMMKV3 | XZU600L-WKTMKV3 (Auto) |
|----------------------------|-----------------|-----------------|------------------------|
| Total | 2125 | 2195 | 2165 |
| Front | 1380 | 1440 | 1405 |
| Rear | 745 | 755 | 760 |

Note: All Specifications of the products are with Normal Manufacturing allowances and tolerance. Hino Motos, Ltd. Reserves the right to alter specifications at any time without prior notice. Figures of axle capacity can be changed by the operating conditions and specifications of equipments concerned



Strong Product Support

دعم قوي لمنتجاتنا

الضمان
٣ سنوات أو ١٠٠,٠٠٠ كم



WARRANTY
3 YEARS or 100,000 KMs

جودة خدمة هينو



HINO
QUALITY SERVICE

قطع غيار هينو الاصلية



HINO GENUINE PARTS

فئات مختلفة من
عقود الصيانة



VARIOUS CATEGORIES OF
SERVICE CONTRACTS

الدعم الكلي



TOTAL
SUPPORT

TSUSHO JAMJOOM

92 000 95 44

Twitter icon /HINOTrucksKSA

Facebook icon /HinoTrucksSaudiArabia

الدمام
٩٠٥٨ طريق الملك فهد
حي القشلة الظهران
٣٤٢٣٢-٣٦٩١

الرياض
٤٧٨٢ طريق خريص
حي النهضة الرياض
١٣٢٢١-٥١٠٩

المدينة المنورة
٣٢٠٥ طريق المطار حي
الدوبخلة المدينة المنورة
٤٢٣٦٨-٨٦٠٨

خميس مشيط
٥٢٩٨ طريق الملك فهد
حي أم سرور خميس مشيط
٦٢٤٦١-٧٥٦٧

جدة
٧٩٤٢ شارع مدائن الفهد
حي النزلة الشرقية
٢٢٣٣٥-٣٦٩١

