

# HINO

## 3000 Series

# 714 CREW



\*Image may contain items not standard to the model

4 x 2 Cab Chassis

## KEY FEATURES

- Emission Level: Euro 3 Standard
- Antilock Braking System (ABS)
- Full Disc Wheel Brakes
- Air Conditioner for Rear Passengers
- Available Automatic Transmission
- AM/FM Radio with USB,AUX, Bluetooth Audio System
- SRS Airbag System

## KEY SPECIFICATIONS

GVM . . . . .	6,500kg
Power . . . . .	136hp/100kW
Torque. . . . .	392Nm
Transmissions . . . . .	5 speed Manual
. . . . .	6 Speed Automatic
Wheelbases mm . . . . .	3,430.0m, 3,870.0m
Overall Lengths mm . . . . .	6,120-6m, 6,740m

## ENGINE

Model	HINO N04C-WG
Maximum Power	100kW (136 PS) at 2,500 r/min (ISO NET)
Maximum Torque	392 Nm (40.0 kgfm) at 1,600 r/min (ISO NET)
Maximum Engine Speed	3,100 r/min
Type	Diesel, Turbocharged and intercooled, 4-cycle, in-line 4-cylinder, overhead valve, water cooled
Combustion system	Compression Ignition, Four Stroke
Bore & stroke	104 x 118 mm
Piston displacement	4.009L
Compression Ratio	18.0 : 1
Engine Oil Capacity	9.4 L
Fuel Injection Pump	Electronic Control Common Rail Type
Air Cleaner and intake	Behind cab mounted roof-height snorkel air intake with air filter, dry paper element
Exhaust Tail	Short Tail Type

## CLUTCH

Type (Manual Model only)	Dry Single Plate with damper Springs, Facing outside diameter 300 mm, automatic gap adjuster
--------------------------	--

## TRANSMISSION, PERFORMANCE & GEAR RATIOS

Calculations based in 5.5 ton GVM, 7.00R16-12 tire

Production Code(s), Model & Description	XZU710L-ZKTQKV3		XZU720L-ZKMQKV3	
	A860E, Automatic 6-Speeds, with Overdrive		RE50, Manual 5-Speeds, With Overdrive	
Max speed (km/h)	133		118	
Gradeability tanθ (%)	60.0		45.5	
GEAR RATIOS	1	3.742	1	5.342
	2	2.003	2	2.975
	3	1.343	3	1.604
	4	1.000	4	1.000
	5	0.773	5	0.712
	6	0.634	6	N/A
	Reverse	3.539	Reverse	4.970
Rear axle, Gear Ratio (:1)	5.375		5.375	

## SERVICE BRAKE

Type	Dual-Circuit Hydraulic, Vacuum Assist
Front Wheel Brake	Disc Diameter 287 mm, pad effective area 84 cm <sup>2</sup>
Rear Wheel Brake	Disc Diameter 287 mm, pad effective area 84 cm <sup>2</sup>
Exhaust Brake	Equipped
ABS (Antilock Brake System)	Equipped

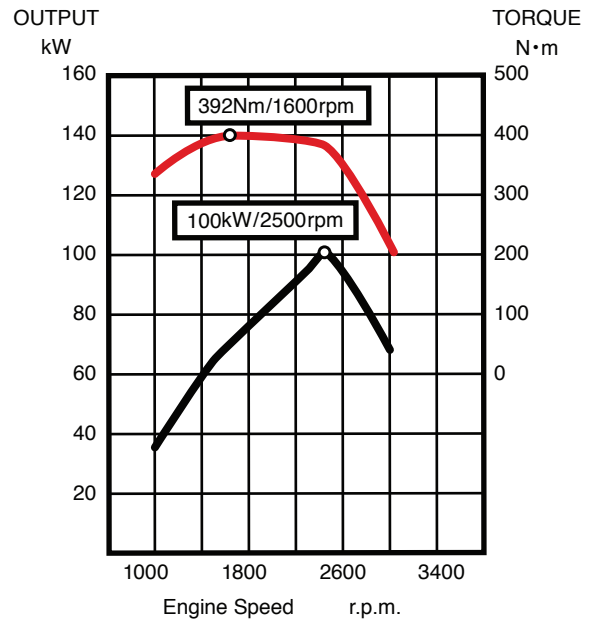
## PARKING BRAKE

Type	Mechanical, Internal expanding acting on transmission output shaft, not folding lever
------	---

## WHEELS & TYRES

Tire size	Front and Rear: 7.50R16-12
Spare tyre carrier	Equipped (Rear End)

## POWER & TORQUE CHART (N04C-WG Performance curve)



## INSTRUMENTS

Speedometer	Equipped (Km/h)
Multi-Information	Equipped
Tachometer	Equipped (r/min)
Coolant Temperature Gauge	Equipped (with buzzer)
Fuel Gauge	Equipped
Brake Warning	Brake Fluid level and vacuum Pressure warning lamp and buzzer
Seat Belt Warning	Equipped

## STEERING

Type	Telescopic and tilt steering column, recirculating ball integral power steering
------	---

## PROPELLER SHAFT

Tube outside Diameter x Thickness	82.6 x 2.3 mm
-----------------------------------	---------------

## AXLE, SUSPENSION

	FRONT	REAR
Front Axle Type	Reveresd Elliot, "I" Section Beam	
Suspension	Semi-Elliptic tapered leaf springs with double acting shock absorbers	
Rear Axle Type		Full-Floating, Single Reduction, Single Speed by hypoid Gearings
Suspension		Semi-elliptic main and auxiliary tapered leaf springs with double acting shock absorbers

## FUEL TANK

Tank Capacity	100L
Fuel Filler	Small Diameter Neck
Fuel Filter	Primary (with Water Separator) and Secondary Filter

## RATINGS & AXCEL LOAD LIMIT (KG)

	GVM	Front Axle	Rear Axle
Ratings	6500	2660	5060
Axle Load Limit	7.50R16-12	2660	5060

## CHASSIS FRAME

Type	Ladder-Shaped Channel Section Side Rails
Front Bumper	Dark Grey Type (Resin)
Rear Bumper	Equipped
Front Underrun Protector	Equipped
Max. Section (depth x flange x thickness)	192.8 x 65 x 5.9 mm
Rear Frame width (at rear)	750mm
Tensile Strength	540 N/mm <sup>2</sup> (55 kgf/mm <sup>2</sup> )
Tow Hook	Equipped (Front and Rear, with Transport hook)

## ELECTRICAL EQUIPMENT

System Voltage	24 volt
Batteries	60 Ah (216 kC) at 20-hourrate 55D23L (2)
Alternator	24 V, 60 A
Starter	24 V, 4.5 kW
Headlight	Halogen Type
Diagnoses Connector	Equipped
Horn	Electric Type, Single
Back-up Buzzer	Equipped
Headlight Leveling	Manual Type
Position Light	Equipped (with Parking Light Mode)
Turn Signal Light (front)	Equipped
Stop, Turn, Tail light	Equipped (EC type)
Rear Fog Light	Equipped

## CHASSIS DIMENSIONS (mm):

All dimensions are to standard specifications and unladen chassis

Model Description	HINO 3714	
	XZU710L-ZKTQKV3	XZU720L-ZKMQKV3
Application	General Use	
Wheelbase (WB)	3430	3870
Overall length (OL)	6120	6740
Overall width (OW)	1995	1995
Overall height (OH)	2265	2265
Cab to rear Axle centre (CA)	1755	2195
Front Overhang (FOH)	1115	1115
Rear Overhang (at Frame end)	1575	1755
Front Chassis Height (HF)	735	735
Rear Chassis height (HR)	790	795
Road Clearance (at diff. case) (RC)	210	210
Front Tread (FT)	1655	1655
Rear Tread (RT)	1520	1520
Turning Radius on tire	6200	6900
Turning Radius wall to wall	6900	7600

## CAB

Type	Forward control, all steel welded construction, high roof, mechanical tilt with torsion assist
Windshield wiper	2-Speed with Wash and Intermittent Feature
Radiator Grille	Cab Colored Type
Outside rearview mirrors	EC type, Long stay with Arabic Caution
Front windshield	Heat absorbing laminated glass
Seating Capacity	Seven
Front Seat	4-way adjustable driver seat, 2-way adjustable split back passenger seat
Instrument Panel Center Cluster	Dark Grey Color
Seat Cover	Fabric Type
Front Seat Belt	3-point ELR (Emergency Locking Retractor) belt on driver and outer passenger seat, 2-point NR (Non Retractor) belt on Center Seat
Grab Handle (interior)	Equipped (driver 1 + passenger 1 + rear 2 and pipe bar)
Rear Seat	Fixed, Bench Type
Sunvisor	Equipped (both Sides)
Door Pocket	Equipped (both Sides)
Inside Mirror	Equipped (EC type)
Cab Trim (Quarter Panel)	Semi Trim
Car Audio	AM/FM Radio with USB, AUX, Bluetooth (2 Speakers)
Air Conditioner	Equipped (with clean air Filter)
Heater and Defroster	Equipped (with Warm up Switch)
Room Light	Equipped
Door Courtesy Switch	Driver Side
Seat Back Pocket	Equipped (Driver Side)
Cigar Lighter	Equipped
Cup holders	Equipped
Tool Set	Equipped
Hydraulic Jack	Equipped
Floor Mat	Vinyl Type
Rear Seat Belt	3-point ELR (Emergency Locking Retractor) belt on driver and outer passenger seat, 2-point NR (Non Retractor) belt on Center Seat
SRS Airbag System	Equipped (Driver and Passenger Side)
Power Window	Equipped (driver, passenger and Rear)
Power Door Lock	Equipped (driver, passenger and Rear both sides)

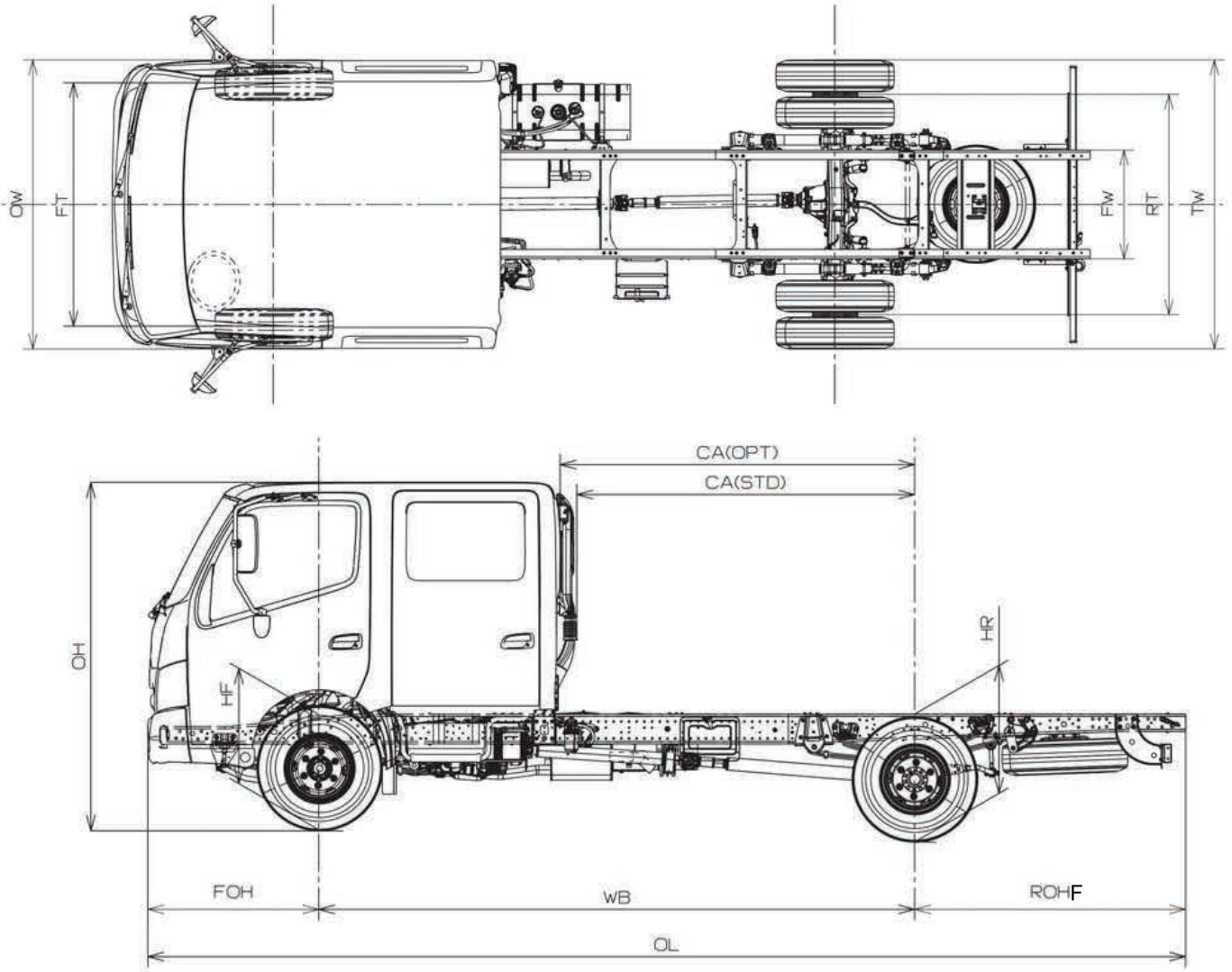
## CHASSIS MASS (KG):

Chassis mass quoted is to standard specifications with spare tire and standard tool set

Production code	Fuel: Full	XZU710L-ZKTQKV3	XZU720L-ZKMQKV3
Total		2715	2690
Front		1725	1720
Rear		990	970

### Note:

All Specifications of the products are with Normal Manufacturing allowances and tolerances. Hino Motos, Ltd. Reserves the right to alter specifications at any time without prior notice. Figures of axle capacity can be changed by the operating conditions and specifications of equipments concerned.



## Strong Product Support

## دعم قوي لمنتجاتنا

الضمان  
٣ سنوات أو ١٠٠,٠٠٠ كم



WARRANTY  
3 YEARS or 100,000 KMs

جودة خدمة هينو



HINO  
QUALITY SERVICE

قطع غيار هينو الأصلية



HINO GENUINE PARTS

فئات مختلفة من  
عقود الصيانة



VARIOUS CATEGORIES OF  
SERVICE CONTRACTS

الدعم الكلي



TOTAL  
SUPPORT

TSUSHO JAMJOOM

92 000 95 44

Twitter /HINOTrucksKSA

Facebook /HinoTrucksSaudiArabia

الدمام  
٩٠٥٨ طريق الملك فهد  
حي القشلة الظهران  
٣٤٢٣٢-٣٦٩١

الرياض  
٤٧٨٢ طريق خريص  
حي النهضة الرياض  
١٣٢٢١-٥١٠٩

المدينة المنورة  
٣٢٠٥ طريق المطار حي  
الدويزة المدينة المنورة  
٤٢٣٦٨-٨٦٠٨

خميس مشيط  
٥٢٩٨ طريق الملك فهد  
حي أم سرور خميس مشيط  
٦٢٤٦١-٧٥٦٧

جدة  
٧٩٤٢ شارع مدائن الفهد  
حي النزلة الشرقية  
٢٢٣٣٥-٣٦٩١

