

HINO

3000 Series

714



*Image may contain items not standard to the model

4 x 2 Cab Chassis

KEY FEATURES

- Emission Level: Euro 3 Standard
- Antilock Braking System (ABS)
- Full Disc Wheel Brakes
- Side Door Beams
- Available Automatic Transmission
- AM/FM Radio with USB,AUX, Bluetooth Audio System
- SRS Airbag System

KEY SPECIFICATIONS

GVM	6,500kg
Power	136hp/100kW
Torque.	392Nm
Transmissions	5 speed Manual
	6 Speed Automatic
Wheelbases mm	2,810-3,340-3,870-4,200
Overall Lengths mm	5,200-6,120-6,740-7,250

ENGINE

Model	HINO N04C-WG
Maximum Power	100kW (136 PS) at 2,500 r/min (ISO NET)
Maximum Torque	392 Nm (40.0 kgfm) at 1,600 r/min (ISO NET)
Maximum Engine Speed	3,100 r/min
Type	Diesel, Turbocharged and intercooled, 4-cycle, in-line 4-cylinder, overhead valve, water cooled
Combustion system	Compression Ignition, Four Stroke
Bore & stroke	104 x 118 mm
Piston displacement	4.009L
Compression Ratio	18.0 : 1
Engine Oil Capacity	9.4 L
Fuel Injection Pump	Electronic Control Common Rail Type
Air Cleaner and intake	Behind cab mounted roof-height snorkel air intake with air filter, dry paper element
Exhaust Tail	Short Tail Type

CLUTCH (MANUAL TYPE ONLY)

Type	Dry Single Plate with damper Springs, Facing outside diameter 300 mm, automatic gap adjuster
------	--

TRANSMISSION, PERFORMANCE & GEAR RATIOS

Production Code(s), Model & Description	XZU700L-WKMQKV3	XZU710L-WKMQKV3 XZU720L-WKMQKV3 XZU730L-WKMQKV3	XZU710L-WKTQKV3 (Auto)	
		RE50, Manual 5-Speeds, With Overdrive		A860E, Automatic 6-Speeds, with Overdrive
Max speed (km/h)	110	130	133	
Gradeability tanθ (%)	50.0	40.4	60.0	
TRANSMISSION GEAR RATIOS (:1)	1	5.342	1	3.742
	2	2.975	2	2.003
	3	1.604	3	1.343
	4	1.000	4	1.000
	5	0.712	5	0.773
	6	N/A	6	0.634
	Reverse	4.970	Reverse	3.539
Rear axle, Gear Ratio (:1)	5.571	4.875	5.375	
Transmission Shift Lever	Folding Type		N/A	

SERVICE BRAKE

Type	Dual-Circuit Hydraulic, Vacuum Assist
Front Wheel Brake	Disc Diameter 287 mm, pad effective area 84 cm ²
Rear Wheel Brake	Disc Diameter 287 mm, pad effective area 84 cm ²
Exhaust Brake	Equipped
ABS (Antilock Brake System)	Equipped (Power Assist Brake)

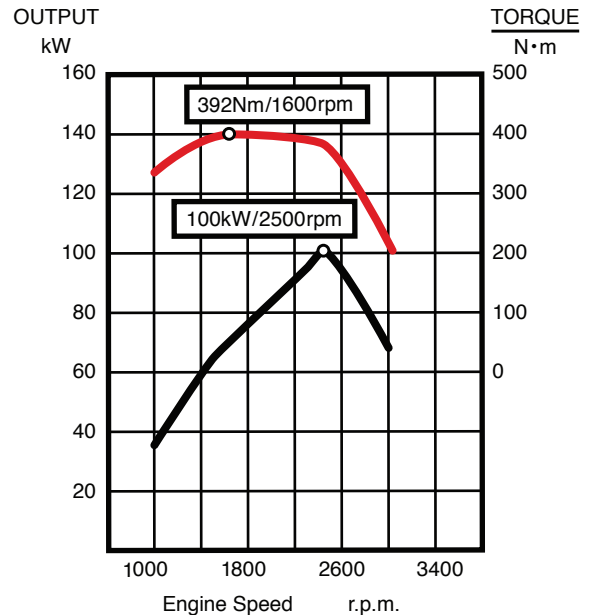
PROPELLER SHAFT

Tube outside Diameter x Thickness	82.6 x 2.3 mm
-----------------------------------	---------------

PARKING BRAKE

Type	Mechanical, Internal expanding acting on transmission output shaft, not folding lever
------	---

POWER & TORQUE CHART (N04C-WG Performance curve)



INSTRUMENTS

Speedometer	Equipped (Km/h)
Multi-Information	Equipped
Tachometer	Equipped (r/min)
Coolant Temperature Gauge	Equipped (with buzzer)
Fuel Gauge	Equipped
Brake Warning	Brake Fluid level and Vacuum Pressure warning lamp and buzzer
Seat Belt Warning	Equipped
Cab Tilt Warning Lamp	Equipped (with Indicator Light and Buzzer)
Auto transmission Fluid Temperature Warning	Equipped (with Indicator Light, Auto Model only)

AXLE, SUSPENSION

AXLE	Type	Description
FRONT	Front Axle Type	Reversed Elliot, "I" Section Beam
	Suspension	Semi-Elliptic tapered leaf springs with double acting shock absorbers
REAR	Rear Axle Type	Full-Floating, Single Reduction, Single Speed by hypoid Gearing
	Suspension	Semi-elliptic main and auxiliary tapered leaf springs with double acting shock absorbers

FUEL TANK

Capacity (Litre)	100L
Fuel Filler	Small Diameter Neck
Fuel Filter	Primary (with Water Separator) and Secondary Filter

STEERING

Type	Telescopic and tilt steering column, recirculating ball integral power steering
------	---

WHEELS & TYRES

Tyre size	7.50R16-12	215/75R17.5 (714 Auto)
Spare tyre carrier	Equipped (Rear End)	

CHASSIS FRAME

Type	Ladder-Shaped Channel Section Side Rails
Front Bumper	Dark Grey Type (Resin)
Rear Bumper	Equipped
Front Underrun Protector	Equipped
Max. Section (depth x flange x thickness)	192.8 x 65 x 5.9 mm
Rear Frame width (at rear)	750 mm
Tensile Strength	540 N/mm ² (55 kgf/mm ²)
Tow Hook	Equipped (Front)

ELECTRICAL EQUIPMENT

System Voltage	24 volt
Batteries	60 Ah (216 kC) at 20-hourrate 55D23L (2)
Alternator	24 V, 60 A
Starter	24 V, 4.5 kW
Headlight	Halogen Type
Diagnoses Connector	Equipped
Horn	Electric Type, Single
Back-up Buzzer	Equipped
Headlight Leveling	Manual Type
Position Light	Equipped (with Parking Light Mode)
Turn Signal Light (front)	Equipped
Stop, Turn, Tail light	Equipped (EC type)
Rear Fog Light	Equipped

RATINGS & AXCEL LOAD LIMIT (KG)

Ratings & Axcel Load Limit (kg)	GVM	Front Axle	Rear Axle
Ratings	6500	2660	5060
Axle Load Limit	7.50R16-12 215/75R17.5 (714 Auto)	2660	5060

CHASSIS MASS (KG):

Chassis mass quoted is to standard specifications with spare tire and standard tool set

Production code Fuel: Full	XZU700L-WKMQKV3	XZU710L-WKMQKV3	XZU710L-WKTQKV3 (Auto)	XZU720L-WKMQKV3	XZU730L-WKMQKV3
Total	2375	2460	2500	2480	2495
Front	1590	1585	1615	1600	1610
Rear	785	875	885	880	885

CAB

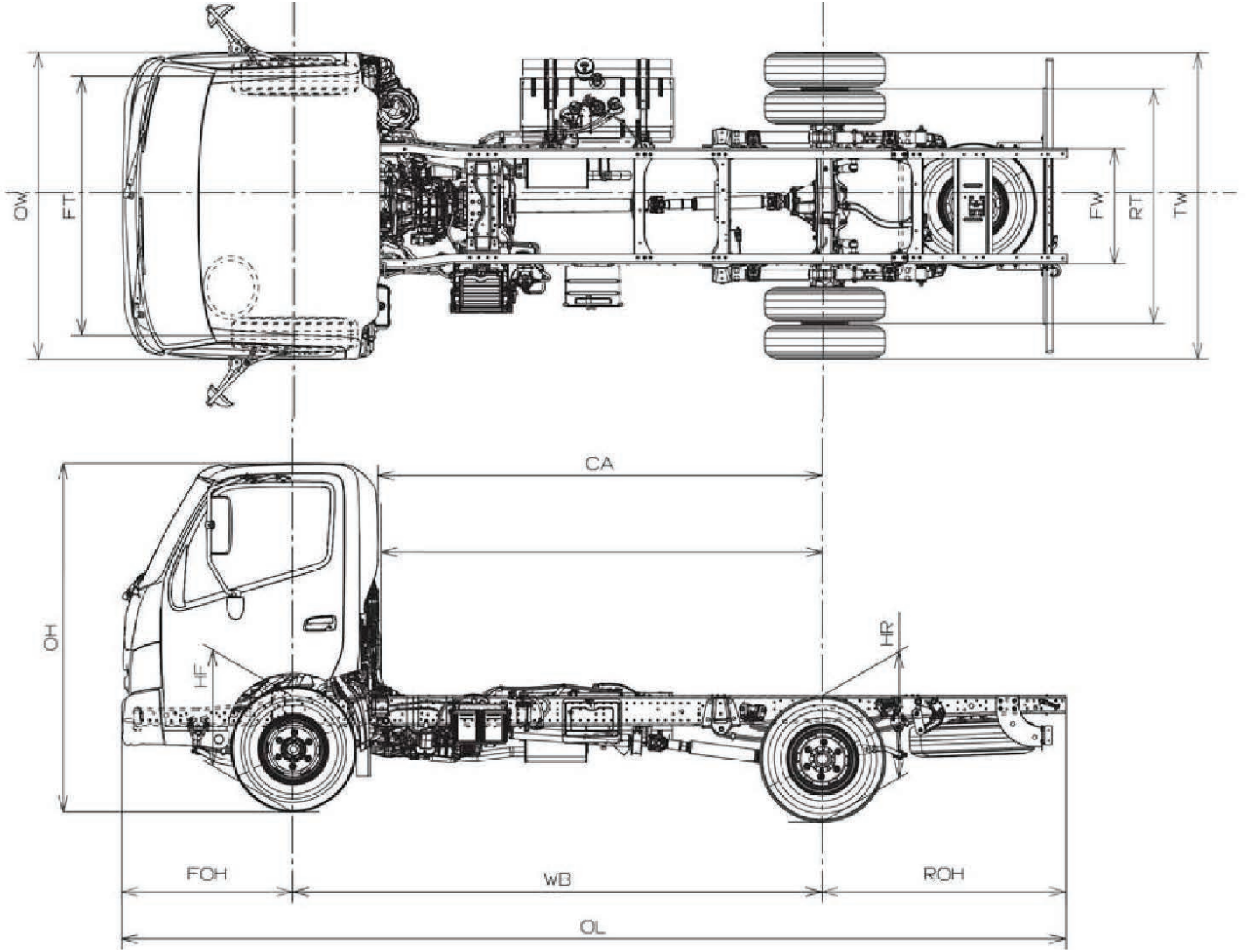
Type	Forward control, all steel welded construction, high roof, mechanical tilt with torsion assist
Windscreen wipers	2-Speed with Wash and Intermittent Feature
Radiator Grille	Cab Colored Type
Outside rearview mirrors	EC type, Long stay with Arabic Caution
Front windshield	Heat absorbing laminated glass
Seating Capacity	Three (3)
Front Seat	4-way adjustable driver seat, fixed back passenger seat integrated type
Instrument Panel Center Cluster	Dark Grey Color
Seat Cover	Fabric Type
Seat belts	3-point ELR (Emergency Locking Retractor) belt on driver and outer passenger seat, 2-point NR(Non Retractor) belt on Center Seat
Grab Handle (interior)	Equipped (driver 1 + passenger 1)
SRS Airbag System	Equipped (Driver and Passenger)
Sunvisor	Equipped (both Sides)
Door Pocket	Equipped (both Sides)
Inside Mirror	Equipped (EC type)
Cab Trim (Quarter Panel)	Semi Trim
Car Audio	AM/FM Radio with USB, AUX, Bluetooth (2 Speakers)
Air Conditioner	Equipped (with clean air Filter)
Heater and Defroster	Equipped (with Warm up Switch)
Room Light	Equipped
Door Courtesy Switch	Driver Side
Seat Back Pocket	Equipped (Driver Side)
Cigar Lighter	Equipped
Cup holders	Equipped
Tool Set	Equipped
Hydraulic Jack	Equipped
Floor Mat	Vinyl Type
Overhead Console	Equipped (both Sides)
Power Window	Equipped
Power Door Lock	Equipped

Note: All Specifications of the products are with Normal Manufacturing allowances and tolerances, Hino Motos, Ltd. Reserves the right to alter specifications at any time without prior notice, Figures of axle capacity can be changed by the operating conditions and specifications of equipments concerned

CHASSIS DIMENSIONS (mm) :**All dimensions are to standard specifications and unladen chassis**

Model Description	HINO 3714				
Product Code	XZU700L-WKMQKV3	XZU710L-WKMQKV3	XZU710L-WKTQKV3 (Auto)	XZU720L-WKMQKV3	XZU730L-WKMQKV3
Application	General Use				
Wheelbase (WB)	2810	3430	3430	3870	4200
Overall length (OL)	5200	6120	6120	6740	7250
Overall width (OW)	1995	1995	1995	1995	1995
Overall height (OH)	2230	2250	2250	2250	2250
Cab to rear Axle centre (CA)	2240	2860	2860	3300	3630
Front Overhang (FOH)	1115	1115	1115	1115	1115
Rear Overhang (at Frame end)	1275	1575	1575	1755	1935
Front Chassis Height (HF)	720	740	740	740	740
Rear Chassis height (HR)	780	795	795	795	795
Road Clearance (at diff. case) (RC)	190	210	210	210	210
Front Tread (FT)	1655	1655	1655	1655	1655
Rear Tread (RT)	1520	1520	1520	1520	1520
Turning Radius on tire	4800	6200	6200	6900	7400
Turning Radius wall to wall	5500	6900	6900	7600	8100

Note: All Specifications of the products are with Normal Manufacturing allowances and tolerances, Hino Motos, Ltd. Reserves the right to alter specifications at any time without prior notice, Figures of axle capacity can be changed by the operating conditions and specifications of equipments concerned



Strong Product Support

دعم قوي لمنتجاتنا

الضمان
٣ سنوات أو ١٠٠,٠٠٠ كم



WARRANTY
3 YEARS or 100,000 Kms

جودة خدمة هينو



HINO
QUALITY SERVICE

قطع غيار هينو الاصلية



HINO GENUINE PARTS

فئات مختلفة من
عقود الصيانة



VARIOUS CATEGORIES OF
SERVICE CONTRACTS

الدعم الكلي



TOTAL
SUPPORT

TSUSHO JAMJOOM

92 000 95 44

/HINOTrucksKSA

/HinoTrucksSaudiArabia

الدمام
٩٠٥٨ طريق الملك فهد
حي القشلة الظهران
٣٤٢٣٢-٣٦٩١

الرياض
٤٧٨٢ طريق خريص
حي النهضة الرياض
١٣٢٢١-٥١٠٩

المدينة المنورة
٣٢٠٥ طريق المطار حي
الدوبخلة المدينة المنورة
٤٢٣٦٨-٨٦٠٨

خميس مشيط
٥٢٩٨ طريق الملك فهد
حي أم سرور خميس مشيط
٦٢٤٦١-٧٥٦٧

جدة
٧٩٤٢ شارع مدائن الفهد
حي النزلة الشرقية
٢٢٣٣٥-٣٦٩١

