

HINO

500 Series

FG - 1625



*Image may contain items not standard to the model

4 x 2 Cab Chassis

KEY FEATURES

- Emission Level: Euro 3 Standard
- Antilock Braking System (ABS)
- Full Air brake
- Side Door Beams
- Telescopic and Tilt Steering Column
- AM/FM radio with CD player, USB, AUX
- Overhead console

KEY SPECIFICATIONS

GVM	16,000kg
Power	240hp/176kW
Torque.	716 Nm
Transmissions	6 speeds Manual
Wheelbases mm	4,330-5,530
Overall Lengths mm	7,785-9,485

ENGINE

Model	HINO J08E-WJ
Maximum Power	176kW (240 PS) at 2,500 r/min (ISO NET)
Maximum Torque	716 Nm (73 kgfm) at 1,500 r/min (ISO NET)
Maximum Engine Speed	2,750 r/min
Type	Diesel, Turbocharged and intercooled, 4-cycle, in-line 6-Cylinder, overhead camshaft, water-cooled
Combustion system	Direct Injection Type
Bore & stroke	112 x 130 mm
Piston displacement	7.684 L
Compression Ratio	18.0 : 1
Engine Oil Capacity	13.5 L
Fuel Injection Pump	Electronic Control, Common Rail Type
Air Compressor	Single-cylinder, bore 85 mm, stroke 40 mm
Exhaust Tail	Short Tail Type
Air Cleaner and intake	Stack Type, Dry element
Fan Clutch	Equipped
Air Cleaner dust indicator	Equipped

TRANSMISSION, PERFORMANCE & GEAR RATIOS

Calculations based in 16.0 ton GVM,

Model	MX06, manual 6-speeds, synchromesh 2nd-6th, overdrive	
Max speed (km/h)	117	
Gradeability tanθ (%)	36.1	
Gear ratios	Model	MX06
	1	6.515
	2	4.224
	3	2.441
	4	1.473
	5	1.000
	6	0.702
	Reverse	6.991
	Model	SH16
Rear axle, Gear Ratio (:1)	6.428	

SERVICE BRAKE

Type	Full air, S-cam, leading and trailing shoes
Service Brake Line	Dual circuit
Drum Diameter x Lining Width	Front : 410 x 150 mm Rear : 410 x 220 mm
Exhaust Brake	Equipped
ABS (Antilock Brake System)	Equipped
Air Dryer	Equipped (without Heater)

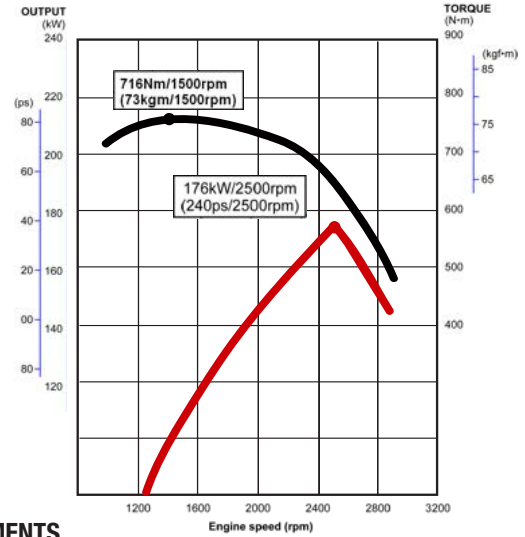
PROPELLER SHAFT

Model	MG1040 series
-------	---------------

PARKING BRAKE

Type	Air operated spring brake acting on rear axle, for emergency and parking purpose
------	--

POWER & TORQUE CHART



INSTRUMENTS

Speedometer	Equipped (Km/h)
Tachometer and over-run warning	Equipped (r/min) with buzzer
Coolant Temperature Gauge	Equipped (with buzzer)
Fuel Gauge	Equipped
Air Pressure Gauge	Equipped
Seat Belt Warning	Equipped (Driver)

CHASSIS FRAME

Type	Ladder-Shaped Channel Section Side Rails
Front Bumper	Cab colored type
License plate bracket	Standard type
Max. Section (depth x flange x thickness)	275 x 80 x 7.0 mm for FG8JJ7A 277 x 80 x 8.0 mm for FG8JP7A
Chassis width (at rear)	840 mm
Tensile Strength	620 N/mm ² (63 kgf/mm ²)
Tow Hook	Equipped (Front)

FUEL TANK & SUPPLY

Capacity (Litre)	200
Fuel pre-Filter and sedimenter	Equipped (1 pc)

WHEEL & TIRE

Tire Size	10.00R20-16 (20 x 7.50V wheel)
Wheel Size	20 x 7.50V
Wheel bolt type	ISO 10-Stud
Wheel step	Equipped

STEERING

Type	Telescopic and tilt steering column, Recirculating ball integral power steering
------	---

CLUTCH

Type	CSP-380, dry single plate with damper springs, facing outside diameter 380 mm
Facing Material	Mold Type (non-asbestos)
Control	Hydraulic with air booster

CAB

Type	Forward control, all steel welded construction
Cab Mounting Type	Semi floating (rubber mounting)
Cab Tilt Mechanism	Torsion bar type
Seating Capacity	Three
Driver Seat	High-back 750mm, 8-way adjustable seat, vinyl cover
Outer Passenger Seat	High-back 750mm, reclining seat, vinyl cover
Center Passenger Seat	Equipped with tray, vinyl cover (folding type)
Seat Belt	Equipped with ELR (Emergency Locking Retractor) and warning
Floor Mat	Vinyl type
Overhead Console	Equipped (Driver Side)
Sunvisor	Equipped (both Sides)
Cab Trim	Semi Trim (Roof and Side)
Instrument Panel Center Cluster	Dark Grey Color
Door Pocket	Equipped (both Sides)
Quarter Pocket	Equipped (Both Sides)
Grab Handle (Interior)	A-pillar Mounted (Driver 1 + Passenger 1) And B-pillar Mounted (Driver 1 + Passenger 1)
Outside Rear View Mirrors	Convex type, Long stay with Arabic Caution
Windshield Wiper	2-Speed with Wash and Intermittent Feature
Air Conditioner	Equipped (with clean air Filter)
Radio	AM/FM radio with CD player, USB, AUX
Map Light	Equipped
Door Courtesy Switch	Driver Side
Ash Tray	Equipped
Tool Set	Equipped
Hydraulic Jack	Equipped

AXLE & SUSPENSION

FRONT	Front Axle Model	MF781L	
	Front Axle Type	Reversed Elliot, "I" Section Beam	
	Front Suspension Type	Semi-Elliptic tapered leaf springs with Single action shock absorbers	
REAR	Rear Axle Model	SH16	
	Rear Axle Type	Full-Floating, Single Reduction, Single Speed by hypoid Gearings	
	Production code	FG8JJ7A-JG3	FG8JP7A-JG3
	Rear Suspension Type	Semi-elliptic main and auxiliary leaf springs (Reinforced Type)	Semi-elliptic main and auxiliary leaf springs

CHASSIS DIMENSIONS (mm) :

All dimensions are to standard specifications and unladen chassis

Model Description	HINO 51625	
	FG8JJ7A-JG3	FG8JP7A-JG3
Application	Cargo	
Wheelbase (WB)	4330	5530
Overall length (OL)	7785	9485
Overall width (OW)	2490	2490
Overall height (OH)	2755	2755
Cab to Axle centre (CA)	3500	4700
Front Overhang (FOH)	1280	1280
Rear Overhang (at Frame end)	2175	2675
Front Chassis Height (HF)	1005	1005
Rear Chassis height (HR)	1065	1050
Road Clearance (at diff. case) (RC)	255	255
Front Tread (FT)	2050	2050
Rear Tread (RT)	1835	1835
Turning Radius on tire	7500	9300
Turning Radius wall to wall	8300	10100

CHASSIS MASS (KG):

Chassis mass quoted is to standard specifications with spare tire and standard tool set

Production code	Fuel: Full	FG8JJ7A-JG3	FG8JP7A-JG3
Total		5140	5360
Front		3110	3230
Rear		2030	2130

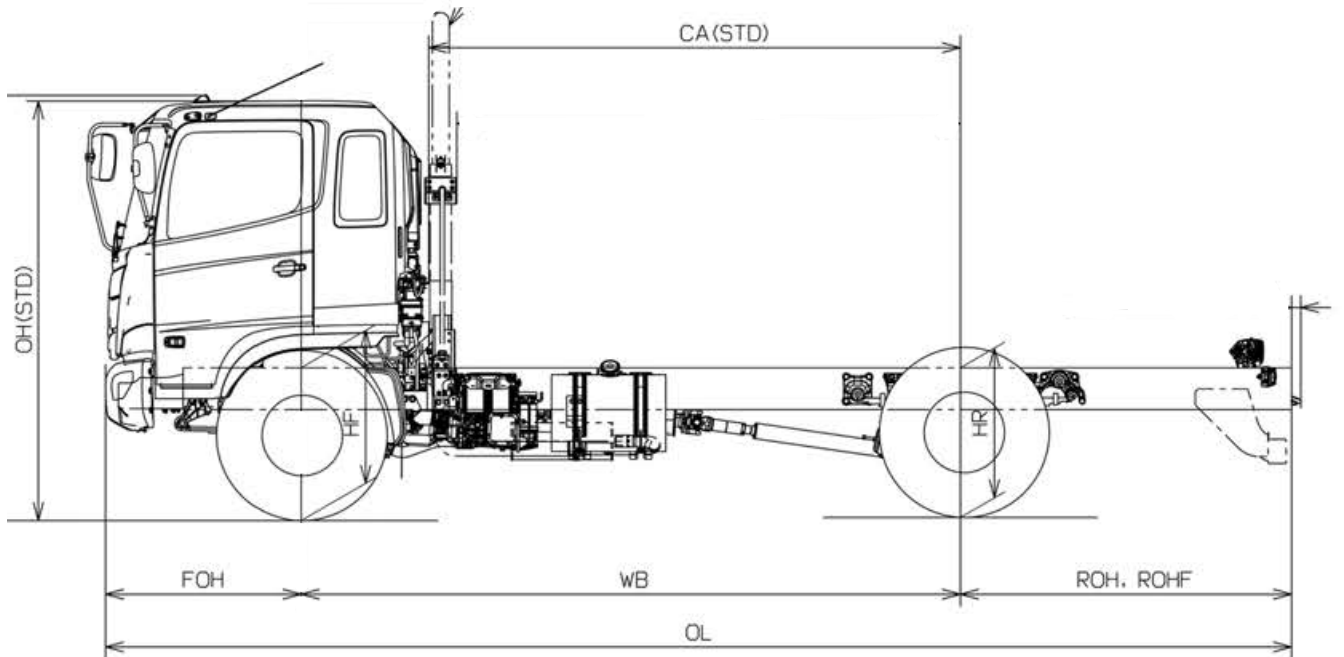
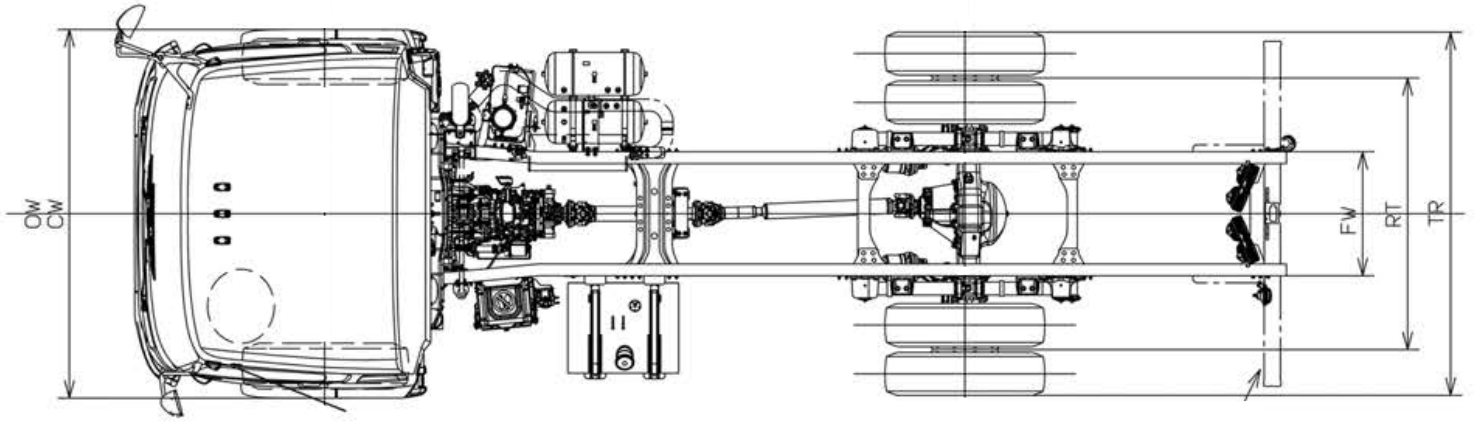
RATINGS & AXLE LOAD LIMIT (KG)

	GVM	Front Axle	Rear Axle
Ratings	16000	7500	11500
Axle Load Limit	10.00R20-16	6000	10900

ELECTRICAL EQUIPMENT

Batteries	24 V, 65 Ah (234 kC) at 20-hour rate, 65D23L
Battery Cover	Equipped (full cover)
Alternator	24 V, 60 A
Starter	24 V, 4.5 kW
Headlight	Halogen type
Position Light	Equipped
Turn Signal Light (front)	Equipped
Stop, Turn, Tail light	Equipped
Diagnoses Connector	Equipped
Horn	Electric Type, Single

Note: All Specifications of the products are with Normal Manufacturing allowances and tolerances, Hino Motos, Ltd. Reserves the right to alter specifications at any time without prior notice, Figures of axle capacity can be changed by the operating conditions and specifications of equipments concerned



Strong Product Support

دعم قوي لمنتجاتنا

الضمان
سنتان أو ٢٠٠,٠٠٠ كم



WARRANTY
2 YEARS or 200,000 KMs

جودة خدمة هينو



HINO
QUALITY SERVICE

قطع غيار هينو الاصلية



HINO GENUINE PARTS

فئات مختلفة من
عقود الصيانة



VARIOUS CATEGORIES OF
SERVICE CONTRACTS

الدعم الكلي



TOTAL
SUPPORT

TSUSHO JAMJOOM

92 000 95 44



/HINOTrucksKSA

/HinoTrucksSaudiArabia

الدمام
٩٠٥٨ طريق الملك فهد
حي القشلة الظهران
٣٤٢٣٢-٣٦٩١

الرياض
٤٧٨٢ طريق خريص
حي النهضة الرياض
١٣٢٢١-٥١٠٩

المدينة المنورة
٣٢٠٥ طريق المطار حي
الدوبخلة المدينة المنورة
٤٢٣٦٨-٨٦٠٨

خميس مشيط
٥٢٩٨ طريق الملك فهد
حي أم سرور خميس مشيط
٦٢٤٦١-٧٥٦٧

جدة
٧٩٤٢ شارع مدائن الفهد
حي النزلة الشرقية
٢٢٣٣٥-٣٦٩١ جدة

