

HINO

500 Series

FM - 2836



*Image may contain items not standard to the model

6 x 4 Cab Chassis

KEY FEATURES

- Emission Level: Euro 3 Standard
- Antilock Braking System (ABS)
- Full Air brake
- Side Door Beams
- Telescopic and Tilt Steering Column
- AM/FM radio with CD player, USB, AUX
- Overhead console

KEY SPECIFICATIONS

GVM	28,000kg
Power	350hp/257kW
Torque.	1,275Nm
Transmissions	9 speed Manual
Wheelbases mm	(3,480 + 1,350) (4,530 + 1,350)
Overall Lengths mm	7,435 - 9,485

ENGINE

Model	HINO P11C-VT
Maximum Power	257kW (350 PS) at 2,100 r/min (ISO NET)
Maximum Torque	1,275 Nm (130 kgfm) at 1,500 r/min (ISO NET)
Maximum Engine Speed	2,300 r/min
Type	Diesel, Turbocharged and intercooled, 4-cycle, in-line 6-Cylinder, overhead valve, water-cooled
Combustion system	Direct Injection Type
Bore & stroke	122 x 150 mm
Piston displacement	10.520 L
Compression Ratio	16.0 : 1
Engine Oil Capacity	29.5 L
Fuel Injection Pump	Electronic Control, Common Rail Type
Air Compressor	Single-cylinder, bore 85 mm, stroke 60 mm
Exhaust Tail	Short Tail Type
Air Cleaner	Stack Type, Dry element
Fan Clutch	Equipped
Air Cleaner dust indicator	Equipped

TRANSMISSION, PERFORMANCE & GEAR RATIOS

Calculations based in 19.0 ton GVM,

Model	M009, Manual 9-speeds, Synchromesh, Overdrive	
Production code	FM2PL7D-SG3	FM2PR7A-SG3
Max speed (km/h)	103	115
Gradeability tanθ (%)	57.6	49.9
Transmission Gear Ratio (:1)	Model	M009
	1	10.178
	2	6.986
	3	5.063
	4	3.636
	5	2.633
	6	1.921
	7	1.392
	8	1.000
	9	0.724
	Reverse	9.874

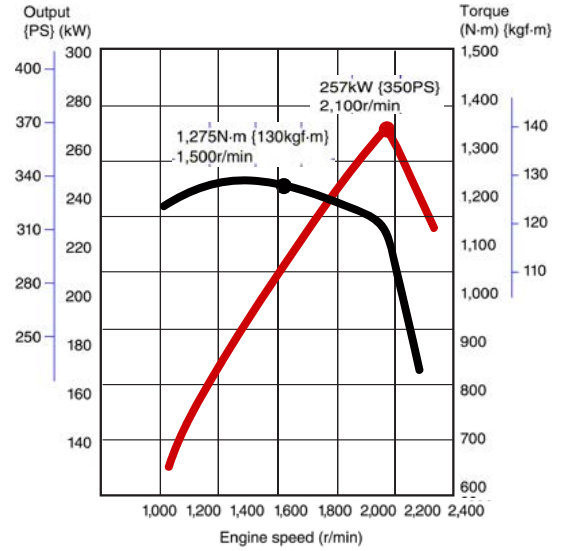
SERVICE BRAKE

Type	Full air, S-cam, leading and trailing shoes
Service Brake Line	Dual circuit
Drum Diameter x Lining Width	Front : 410 x 150 mm Rear : 410 x 220 mm
Exhaust Brake	Equipped
ABS (Antilock Brake System)	Equipped
Air Dryer	Equipped (without Heater)

PROPELLER SHAFT

Model	HY1345 series
-------	---------------

POWER & TORQUE CHART



INSTRUMENTS

Speedometer	Equipped (Km/h)
Tachometer and over-run warning	Equipped (r/min)
Coolant Temperature Gauge	Equipped (with buzzer)
Fuel Gauge	Equipped
Air Pressure Gauge	Front and Rear (kPa)
Seat Belt Warning	Equipped (Driver)

FUEL TANK

Capacity (Litre)	200
Fuel pre-Filter and sedimenter	Equipped (1 pc)

PARKING BRAKE

Type	Air operated spring brake acting on front and 1st rear axle, for emergency and parking purpose
------	--

CHASSIS FRAME

Type	Ladder-Shaped Channel Section Side Rails
Front Bumper	Cab colored type
License plate bracket	Standard type
Max. Section (depth x flange x thickness)	298 x 80 x 7.0 mm
Chassis width (at rear)	840 mm
Tensile Strength	620 N/mm ² (63 kgf/mm ²)
Tow Hook	Equipped (Front)

WHEEL & TIRE

Tire Size	295/80R22.5 (22.5 x 8.25 wheel)
Wheel Size	22.5 x 8.25
Wheel bolt type	ISO 10-stud
Wheel step	Equipped

CLUTCH

Type	CSP-430, dry single plate with damper springs, facing outside diameter 430 mm
Facing Material	Mold Type (non-asbestos)
Control	Hydraulic with air booster

CAB

Type	Forward Control, All Steel Welded Construction
Cab Mounting Type	Semi Floating (Rubber Mounting)
Cab Tilt Mechanism	Torsion Bar Type
Seating Capacity	Three
Front Windshield	Heat - Absorbing Laminated Glass
Driver Seat	High-back 750mm, 8-way Adjustable Seat, Vinyl Cover
Outer Passenger Seat	High-back 750mm, Reclining Seat, Vinyl Cover
Center Passenger Seat	Equipped With Tray, Vinyl Cover (Folding Type)
Seat Belt	Equipped With ELR (Emergency Locking Retractor) And Warning
Floor Mat	Vinyl Type
Overhead Console	Equipped (Both Sides)
Sunvisor	Equipped (Both Sides)
Cab Trim	Semi Trim (Roof And Side)
Instrument Panel Center Cluster	Dark Grey Color
Door Pocket	Equipped (Both Sides)
Quarter Pocket	Equipped (Both Sides)
Grab Handle (Interior)	A-pillar Mounted (Driver 1 + Passenger 1) & B-pillar Mounted (Driver 1 + Passenger 1)
Outside Rear View Mirrors	Ec Type, Long Stay With Arabic Caution
Inside Mirror	Equipped (EC Type)
Windshield Wiper	2-speed With Wash And Intermittent Feature
Air Conditioner	Equipped (With Clean Air Filter)
Car Audio	Am/fm Radio With Cd Player, USB, Aux
Map Light	Equipped
Door Courtesy Switch	Driver Side
Ash Tray	Equipped
Tool Set	Equipped

STEERING

Type	Telescopic and tilt steering column, Recirculating ball integral power steering
------	---

AXLE & SUSPENSION

FRONT	Front Axle Model	MF78IL
	Front Axle Type	Reversd Elliot, "I" Section Beam
	Front Suspension Type	Semi-Elliptic leaf springs (reinforced type) with single action shock absorbers
REAR	Rear Axle Model	THD17
	Rear Axle Type	Full-Floating, Single Reduction, Single Speed by hypoid Gearings with inter axle differential lock
	Rear Suspension Type	Semi-elliptic leaf springs

REAR AXLE

Production code	FM2PL7D-SG3	FM2PR7A-SG3
Model	THD17	THD17
Gear Ratio (:1)	5.857	5.250

CHASSIS DIMENSIONS (mm) :**All dimensions are to standard specifications and unladen chassis**

Model Description	HINO 52836	
Product Code	FM2PL7D-SG3	FM2PR7A-SG3
Application	Dump	Cargo
Wheelbase (WB)	3480 + 1350	4530 + 1350
Overall length (OL)	7435	9485
Overall width (OW)	2490	2490
Overall height (OH)	2915	2915
Cab to Axle centre (CA)	3425	4475
Front Overhang (FOH)	1380	1380
Rear Overhang (at Frame end)	1225	2225
Front Chassis Height (HF)	1035	1035
Rear Chassis height (HR)	1070	1070
Road Clearance (at diff. case) (RC)	250	250
Front Tread (FT)	2050	2050
Rear Tread (RT)	1855	1855
Turning Radius on tire	7700	9300
Turning Radius wall to wall	8500	10100

CHASSIS MASS (KG):

Chassis mass quoted is to standard specifications with spare tire and standard tool set

Production code	Fuel: Full	FM2PL7D-SG3	FM2PR7A-SG3
Total		7590	7770
Front		3740	3860
Rear		3850	3910

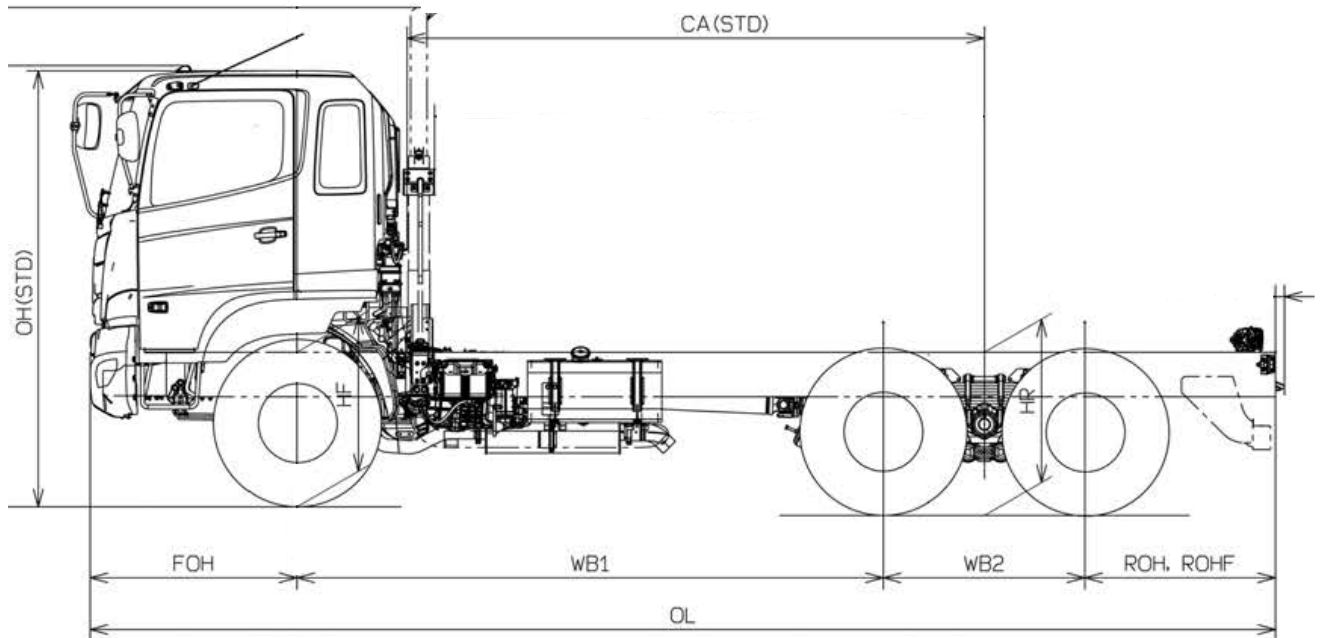
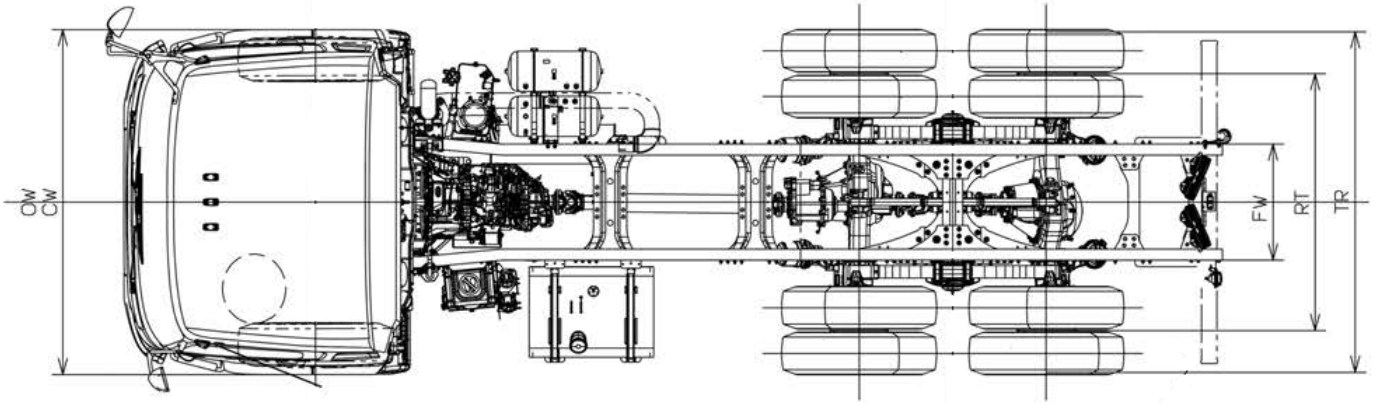
RATINGS & AXLE LOAD LIMIT (KG)

	GVM	Front Axle	Rear Axle
Ratings	28000	7500	21800
Axle Load Limit	295/80R22.5	7300	21800

ELECTRICAL EQUIPMENT

Batteries	24 V, 65 Ah (234 kC) at 20-hour rate, 65D23L
Battery Cover	Equipped (full cover)
Alternator	24 V, 60 A
Starter	24 V, 6.0 kW
Headlight	Halogen Type
Position Light	Equipped
Turn Signal Light (front)	Equipped
Stop, Turn, Tail light	Equipped
Back-up Buzzer	Equipped
Diagnoses Connector	Equipped
Horn	Electric Type

Note: All Specifications of the products are with Normal Manufacturing allowances and tolerances, Hino Motos, Ltd. Reserves the right to alter specifications at any time without prior notice, Figures of axle capacity can be changed by the operating conditions and specifications of equipments concerned



Strong Product Support

دعم قوي لمنتجاتنا

الضمان
سنتان أو ٢٠٠,٠٠٠ كم



WARRANTY
2 YEARS or 200,000 Kms

جودة خدمة هينو



HINO
QUALITY SERVICE

قطع غيار هينو الاصلية



HINO GENUINE PARTS

فئات مختلفة من
عقود الصيانة



VARIOUS CATEGORIES OF
SERVICE CONTRACTS

الدعم الكلي



TOTAL
SUPPORT

TSUSHO JAMJOOM

92 000 95 44



/HINOTrucksKSA

/HinoTrucksSaudiArabia

الدمام
٩٠٥٨ طريق الملك فهد
حي القشلة الظهران
٣٤٢٣٢-٣٦٩١

الرياض
٤٧٨٢ طريق خريص
حي النهضة الرياض
١٣٢٢١-٥١٠٩

المدينة المنورة
٣٢٠٥ طريق المطار حي
الدويخلة المدينة المنورة
٤٢٣٦٨-٨٦٠٨

خميس مشيط
٥٢٩٨ طريق الملك فهد
حي أم سرور خميس مشيط
٦٢٤٦١-٧٥٦٧

جدة
٧٩٤٢ شارع مدائن الفهد
حي النزلة الشرقية
٢٢٣٣٥-٣٦٩١

