

HINO

500 Series

GD - 1221



*Image may contain items not standard to the model

4 x 2 Cab Chassis

KEY FEATURES

- Emission Level: Euro 3 Standard
- Antilock Braking System (ABS)
- Full Air Brake
- Side Door Beams
- Telescopic and Tilt Steering Column
- AM/FM Radio with CD Player
- Overhead console

KEY SPECIFICATIONS

GVM	11,900kg
Power	212hp/156kW
Torque.	616Nm
Transmissions	6 speed Manual
Wheelbases mm	4,850
Overall Lengths mm	8,190

ENGINE

Model	HINO J08E-UE
Maximum Power	156kW (212 PS) at 2,500 r/min (ISO NET)
Maximum Torque	661 Nm (67.4 kgfm) at 1,500 r/min (ISO NET)
Maximum Engine Speed	2,900 r/min
Type	Diesel, Turbocharged and intercooled, 4-cycle, Vertical, 6-Cylinder, overhead camshaft, water-cooled
Combustion system	Direct Injection Type
Bore & stroke	112 x 130 mm
Piston displacement	7.684 L
Compression Ratio	18.0 : 1
Engine Oil Capacity	13.5 L
Fuel Injection System Type	Electronic Control Common Rail Type with aneroid Compensator
Intake System	Stack type air intake, paper element
Exhaust Tail	Short Tail Type
Air compressor	Single Cylinder, Water-Cooled, 70 x 40 mm Bore and Stroke
Fan Clutch	Equipped
Speed Limiter	110km/h

TRANSMISSION, PERFORMANCE & GEAR RATIOS

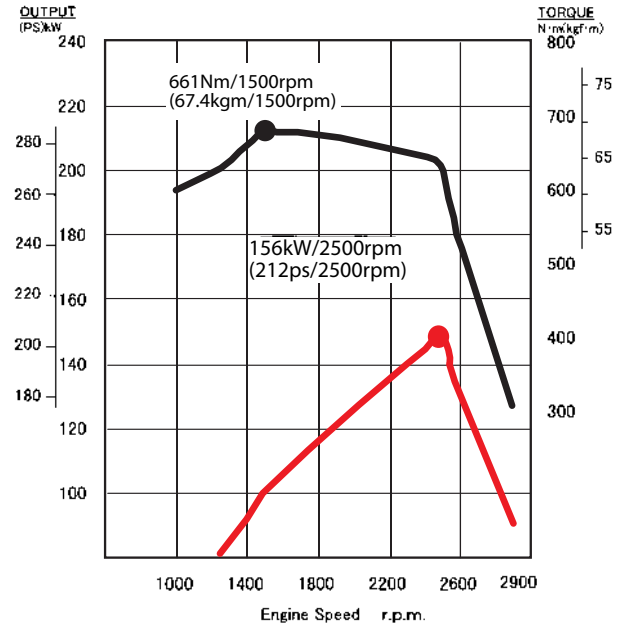
Calculations based in 11.78 ton GVM

Model	Six Forward and One Reverse speeds, With Overdrive, Synchronesh 2nd-6th	
Control	Mechanical	
Max speed (km/h)	110	
Gradeability tan θ (%)	44.2	
GEAR RATIOS	Model	LJ06S
	1	6.746
	2	4.190
	3	2.451
	4	1.474
	5	1.000
	6	0.823
	Reverse	6.453
	Model	SH14
Rear axle, Gear Ratio (:1)	5.428	

SERVICE BRAKE

Type	Hydraulic System with two leading shoes for front and rear wheels
Control	Air Over Hydraulic, dual circuit
Wheel Brake Ass'y Drum Diameter x Lining Width	Front : 400 x 120 mm Rear : 400 x 155 mm
Exhaust Brake	Electric-pneumatic
ABS (Antilock Brake System)	Equipped (Without ASR)
Air Dryer	Equipped

POWER & TORQUE CHART



STEERING

Type	Telescopic and tilt steering column, recirculating ball integral power steering
Gear Ratio	19.0

FUEL TANK & SUPPLY

Capacity (Litre)	200
Fuel pre-Filter and sedimenter	Equipped

PARKING BRAKE

Type	Mechanical, Internal expanding acting on transmission output shaft
------	--

CHASSIS FRAME

Type	Ladder-Shaped Channel Section Side Rails
Front Underrun Protector	Equipped
Max. Section (depth x flange x thickness)	231.6 x 78 x 6.8 mm
Chassis width (at rear)	820 mm
Tensile Strength	540 N/mm ² (55 kgf/mm ²)
Tow Hook	Equipped (Front)

WHEEL & TIRE

Wheel Type	8-stud disc wheel (JIS type)
Rim Size	6.50T x 20 - offset 145 mm
Tire Size	8.25R20-14
Number of Tires	7 including 1 Spare tire
Spare Tire Carrier	Equipped (Rear End)

CAB

Type	Forward control, all steel welded construction, mechanical tilt with torsion bar tilt mechanism
Seating Capacity	Three
Driver's Seat	4-way adjustable driver seat, Urethane foam pads, High-back
Instrument Panel Center Cluster	Dark Grey Color
Seat Cover	Vinyl Type
Seat Belt	3-point ELR (Emergency Locking Retractor) belt on driver and outer passenger seat, 2-point NR(Non Retractor) belt on Center Seat
Grab Handle (interior)	Equipped (driver 1 + passenger 1)
Sunvisor	Equipped (both Sides)
Door Pocket	Equipped (both Sides)
Inside Mirror	Equipped (EC type)
Cab Trim (Quarter Panel)	Semi Trim (side and roof)
Car Audio	AM/FM Radio with CD Player
Air Conditioner	Equipped (with clean air Filter)
Heater and Defroster	Equipped (with Warm up Switch)
Air Conditioner	Equipped
Air inlet Filter	Mesh Type
Windshield wiper	2-Speed with Wash and Intermittent Feature
Outside Rear View Mirrors	EC type, Long stay with Arabic Caution
Mirror Stay	Door Mounting
Overhead Console	Equipped (both Sides)
Floor Mat	Vinyl type
Center Passenger's seat	Urethane foam pads and Fold-away type with seat back tray
Assistant's Seat	Reclining seat, Urethane foam pads
Cab Step	Equipped
Ash Tray	Equipped
Fire Extinguisher	Equipped
Quarter Pocket	Equipped

AXLE & SUSPENSION

FRONT	Front Axle Ass'y	LF458 Series
	Front Axle Type	Reversd Elliot, "I" Section Beam
	Front Suspension Type	Semi-elliptic main and auxiliary leaf springs
	Dimensions of Springs	Span : 1,300 mm - Width : 70 mm
REAR	Rear Axle Type	Full-Floating, Single Reduction, Single Speed by hypoid Gearing
	Rear Suspension Type	Semi-elliptic main and auxiliary leaf springs
	Dimensions of Main Springs	Span : 1,300 mm - Width : 70 mm
	Dimensions of Auxillary Springs	Span : 900 mm - Width : 70 mm

CHASSIS DIMENSIONS (mm) :

All dimensions are to standard specifications and unladen chassis

Model Description	HINO 51221
Product Code	GD8JLSA-GD4
Application	General Use
Wheelbase (WB)	4850
Overall length (OL)	8190
Overall width (OW)	2235
Overall height (OH)	2540
Cab to Axle centre (CA)	3975
Rear Overhang (at Frame end)	2060
Front Chassis Height (HF)	865
Rear Chassis height (HR)	965
Road Clearance (at diff. case) (RC)	255
Front Tread (FT)	1775
Rear Tread (RT)	1720
Turning Radius on tire	8400
Turning Radius wall to wall	9100

CHASSIS MASS (KG):

Chassis mass quoted is to standard specifications with spare tire and standard tool set

Total	3785
Front	2370
Rear	1415

RATINGS & AXLE LOAD LIMIT (KG)

	GVM	Front Axle	Rear Axle
Ratings	11900	4500	8500
Axle Load Limit	8.25R20-14	4060	7720

ELECTRICAL EQUIPMENT

Type	24V, Negative Earth
Batteries, Number per vehicle capacity	12 V x 2, series-connection 65 A·h {234 kC} at 20-hour rate
Alternator	With built-in rectifier and voltage regulator, 24 V, 50 A
Starter	Pinion shift, 24 V, 4.5 kW
Lights	Headlight Side flasher light Map light (2pcs) Stop/Tail light Back-up light Directional indicator and Hazard Light Rear fog light Front end-outline marker light (roof)
Horn	5.425

Note: All Specifications of the products are with Normal Manufacturing allowances and tolerances, Hino Motos, Ltd. Reserves the right to alter specifications at any time without prior notice, Figures of axle capacity can be changed by the operating conditions and specifications of equipments concerned

INSTRUMENTS

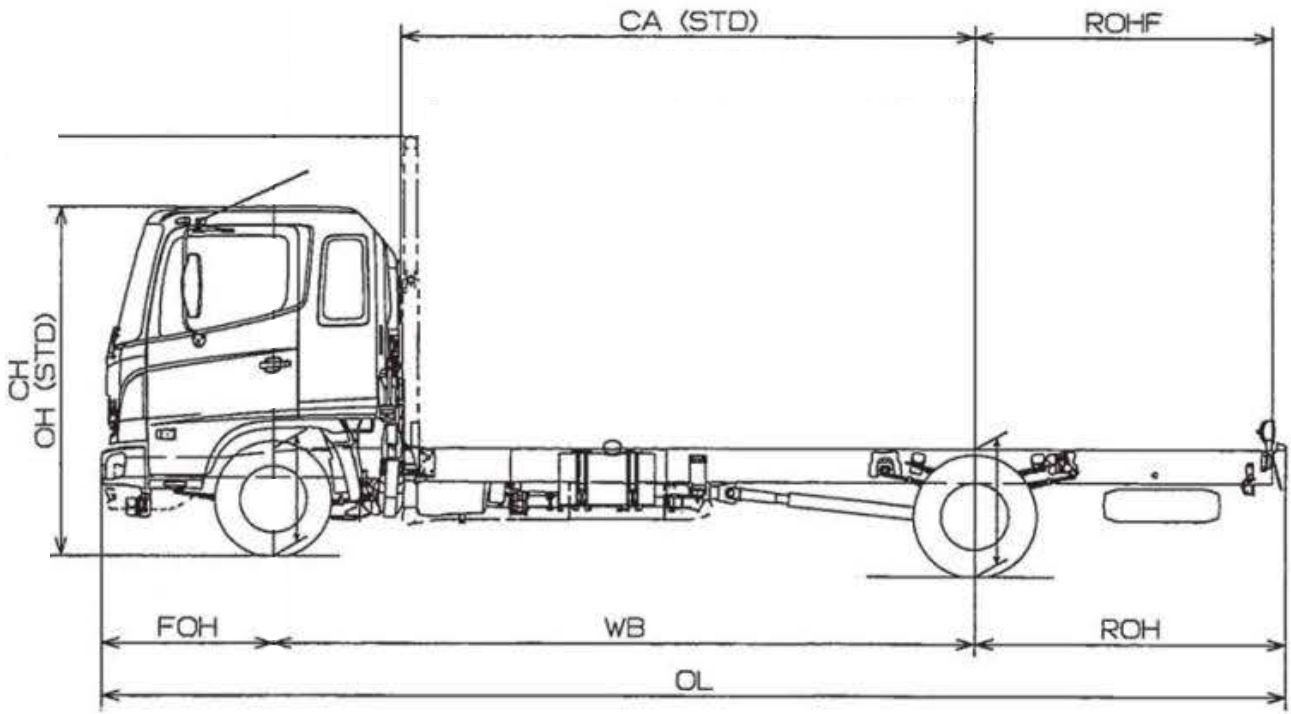
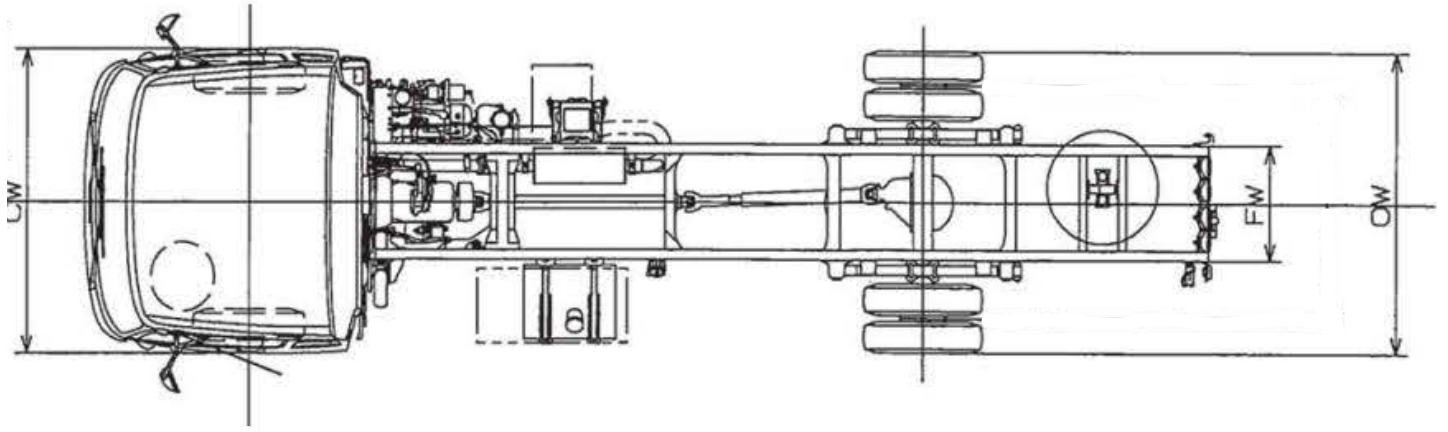
Meter and Gauges KM/KG System	Speedometer Odometer with trip meter Tachometer Fuel gauge Coolant temperature gauge Air pressure gauge
Warning, pilot lamps and buzzers	Engine oil pressure warning lamp and buzzer Engine over-run warning lamp and buzzer Air pressure warning lamp and buzzer Fuel filter water level warning lamp Exhaust brake indicator lamp Coolant level warning lamp and buzzer Seat belt warning lamp and buzzer Check engine warning lamp ABS warning lamp Battery discharge warning lamp Brake fluid level warning lamp and buzzer High beam indicator lamp Turn signal indicator lamp Parking brake indicator lamp
Switches	Parking Light Switch Rear Fog Light Switch
Others	One-key starting-stopping Throttle control knob Horn button Headlight leveling (Manual type)

CLUTCH

Type	Dry Single Plate with damper Springs
Clutch Disc Ass'y	CS-350 Series
Facing Material	Mold (non-Asbestos)
Facing Outside Diameter	350 mm
Clutch Cover Ass'y	CSP-350 Series
Control	Hydraulic with Air Booster

PROPELLER SHAFT

Propeller Shaft Ass'y	LF0932 Series
Tube outside Diameter x Thickness	90.0 x 3.2 mm
Universal Joints	Round Bearing Type



Strong Product Support

دعم قوي لمنتجاتنا

الضمان
سنتان أو ٢٠٠,٠٠٠ كم



WARRANTY
2 YEARS or 200,000 KMs

جودة خدمة هينو



HINO
QUALITY SERVICE

قطع غيار هينو الاصلية



HINO GENUINE PARTS

فئات مختلفة من
عقود الصيانة



VARIOUS CATEGORIES OF
SERVICE CONTRACTS

الدعم الكلي



TOTAL
SUPPORT

TSUSHO JAMJOOM

92 000 95 44



/HINOTrucksKSA

/HinoTrucksSaudiArabia

الدمام
٩٠٥٨ طريق الملك فهد
حي القشلة الظهران
٣٤٢٣٢-٣٦٩١

الرياض
٤٧٨٢ طريق خريص
حي النهضة الرياض
١٣٢٢١-٥١٠٩

المدينة المنورة
٣٢٠٥ طريق المطار حي
الدويخلة المدينة المنورة
٤٢٣٦٨-٨٦٠٨

خميس مشيط
٥٢٩٨ طريق الملك فهد
حي أم سرور خميس مشيط
٦٢٤٦١-٧٥٦٧

جدة
٧٩٤٢ شارع مدائن الفهد
حي النزلة الشرقية
٢٢٣٣٥-٣٦٩١

