

HINO

500 Series

GH - 1927



*Image may contain items not standard to the model

4 x 2 Cab Chassis

KEY FEATURES

- Emission Level: Euro 3 Standard
- Antilock Braking System (ABS)
- Full Air brake
- Side Door Beams
- Telescopic and Tilt Steering Column
- AM/FM radio with CD player, USB, AUX
- Overhead console

KEY SPECIFICATIONS

GVM	19,000kg
Power	260hp/191kW
Torque.	794Nm
Transmissions	6 speed Manual
Wheelbases mm	4,330-5,080-5,830
Overall Lengths mm	7,785-8,835-9,935

ENGINE

Model	HINO J08E-WH
Maximum Power	191kW (260 PS) at 2,500 r/min (ISO NET)
Maximum Torque	794 Nm (81 kgfm) at 1,500 r/min (ISO NET)
Maximum Engine Speed	2,750 r/min
Type	Diesel, Turbocharged and intercooled, 4-cycle, in-line 6-Cylinder, overhead camshaft, water-cooled
Combustion system	Direct Injection Type
Bore & stroke	112 x 130 mm
Piston displacement	7.684 L
Compression Ratio	18.0 : 1
Engine Oil Capacity	13.5 L
Fuel Injection Pump	Electronic Control, Common Rail Type
Air Compressor	Single-cylinder, bore 85 mm, stroke 40 mm
Exhaust Tail	Short Tail Type
Air Cleaner and intake	Stack Type, Dry element
Fan Clutch	Equipped
Air Cleaner dust indicator	Equipped

TRANSMISSION, PERFORMANCE & GEAR RATIOS

Calculations based in 19.0 ton GVM,

Model	MX06, manual 6-speeds, synchromesh 2nd-6th, overdrive	
Max speed (km/h)	116	
Gradeability tanθ (%)	33.6	
GEAR RATIOS	Model	MX06
	1	6.515
	2	4.224
	3	2.441
	4	1.473
	5	1.000
	6	0.702
	Reverse	6.991
	Model	SH17
Rear axle, Gear Ratio (:1)	6.428	

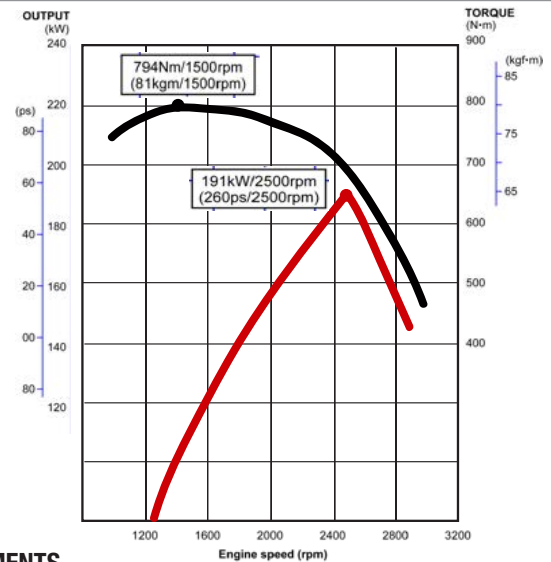
SERVICE BRAKE

Type	Full air, S-cam, leading and trailing shoes
Service Brake Line	Dual circuit
Drum Diameter x Lining Width	Front : 410 x 150 mm Rear : 410 x 220 mm
Exhaust Brake	Equipped
ABS (Antilock Brake System)	Equipped
Air Dryer	Equipped (without Heater)

PARKING BRAKE

Type	Air operated spring brake acting on rear axle, for emergency and parking purpose
------	--

POWER & TORQUE CHART



INSTRUMENTS

Speedometer	Equipped (Km/h)
Tachometer and over-run warning	Equipped (r/min)
Coolant Temperature Gauge	Equipped (with buzzer)
Fuel Gauge	Equipped
Air Pressure Gauge	Equipped
Seat Belt Warning	Equipped (Driver)

CLUTCH

Type	CSP-380, dry single plate with damper springs, facing outside diameter 380 mm
Facing Material	Mold Type (non-asbestos)
Control	Hydraulic with air booster

FUEL TANK

Capacity (Litre)	200
Fuel pre-Filter and sedimenter	Equipped (1 pc)

CHASSIS FRAME

Type	Ladder-Shaped Channel Section Side Rails
Front Bumper	Cab colored type
License plate bracket	Standard type
Max. Section (depth x flange x thickness)	275 x 80 x 7.0 mm *for GH8JJ7A-PG3, GH8JM7A-PG3 277 x 80 x 8.0 mm *for GH8JR7A-PG3
Chassis width (at rear)	840 mm
Tensile Strength	620 N/mm ² (63 kgf/mm ²)
Tow Hook	Equipped (Front)

WHEEL & TIRE

Tire Size	Front: 315/80R22.5 (22.5 x 9.00 wheel) Rear : 295/80R22.5 (22.5 x 8.25 wheel)
Wheel Size	Front: 22.5 x 9.00 Rear: 22.5 x 8.25
Wheel bolt type	ISO 10-stud
Wheel step	Equipped

CAB

Type	Forward control, all steel welded construction
Cab mounting type	Semi floating (rubber mounting)
Cab tilt mechanism	Torsion bar type
Seating capacity	Three
Front windshield	Heat - absorbing Laminated Glass
Driver Seat	High-back 750mm, 8-way adjustable seat, vinyl cover
Outer passenger seat	High-back 750mm, reclining seat, vinyl cover
Center passenger seat	Equipped with tray, vinyl cover (folding type)
Seat Belt	Equipped with ELR (Emergency Locking Retractor) and warning
Floor Mat	Vinyl type
Overhead Console	Equipped (both Sides)
Sunvisor	Equipped (both Sides)
Cab Trim	Semi Trim (Roof and Side)
Instrument Panel Center Cluster	Dark Grey Color
Door Pocket	Equipped (both Sides)
Quarter Pocket	Equipped (Both Sides)
Grab Handle (Interior)	A-pillar mounted (driver 1 + passenger 1) and B-pillar mounted (driver 1 + passenger 1)
Outside Rear View Mirrors	EC type, Long stay with Arabic Caution
Inside Mirror	Equipped (EC type)
Windshield wiper	2-Speed with Wash and Intermittent Feature
Air Conditioner	Equipped (with clean air Filter)
Car Audio	AM/FM radio with CD player, USB, AUX
Map Light	Equipped
Door Courtesy Switch	Driver Side
Ash Tray	Equipped
Tool Set	Equipped
Hydraulic Jack	Equipped

STEERING

Type	Telescopic and tilt steering column, Recirculating ball integral power steering
------	---

AXLE & SUSPENSION

FRONT	Front Axle Model	MF78IL
	Front Axle Type	Reveresd Elliot, "I" Section Beam
	Front Suspension Type	Semi-Elliptic tapered leaf springs with Single action shock absorbers
REAR	Rear Axle Model	SH17
	Rear Axle Type	Full-Floating, Single Reduction, Single Speed by hypoid Gearing
	Rear Suspension Type	Semi-elliptic main leaf springs and auxiliary springs

PROPELLER SHAFT

Model	MG1040 series
-------	---------------

CHASSIS DIMENSIONS (mm) :

All dimensions are to standard specifications and unladen chassis

Model Description	HINO 51927		
	GH8JJ7A-PG3	GH8JM7A-PG3	GH8JR7A-PG3
Product Code	GH8JJ7A-PG3	GH8JM7A-PG3	GH8JR7A-PG3
Application	Cargo	Cargo	Cargo
Wheelbase (WB)	4330	5080	5830
Overall length (OL)	7785	8835	9935
Overall width (OW)	2490	2490	2490
Overall height (OH)	2755	2755	2755
Cab to Axle centre (CA)	3500	4250	5000
Front Overhang (FOH)	1280	1280	1280
Rear Overhang (at Frame end)	2175	2475	2825
Front Chassis Height (HF)	1025	1025	1025
Rear Chassis height (HR)	1080	1080	1080
Road Clearance (at diff. case) (RC)	250	250	245
Front Tread (FT)	2030	2030	2030
Rear Tread (RT)	1835	1835	1835
Turning Radius on tire	8100	9400	10600
Turning Radius wall to wall	8900	10100	11400

CHASSIS MASS (KG):

Chassis mass quoted is to standard specifications with spare tire and standard tool set

Production code	GH8JJ7A-PG3	GH8JM7A-PG3	GH8JR7A-PG3
Fuel: Full			
Total	5220	5290	5460
Front	3130	3200	3270
Rear	2090	2090	2190

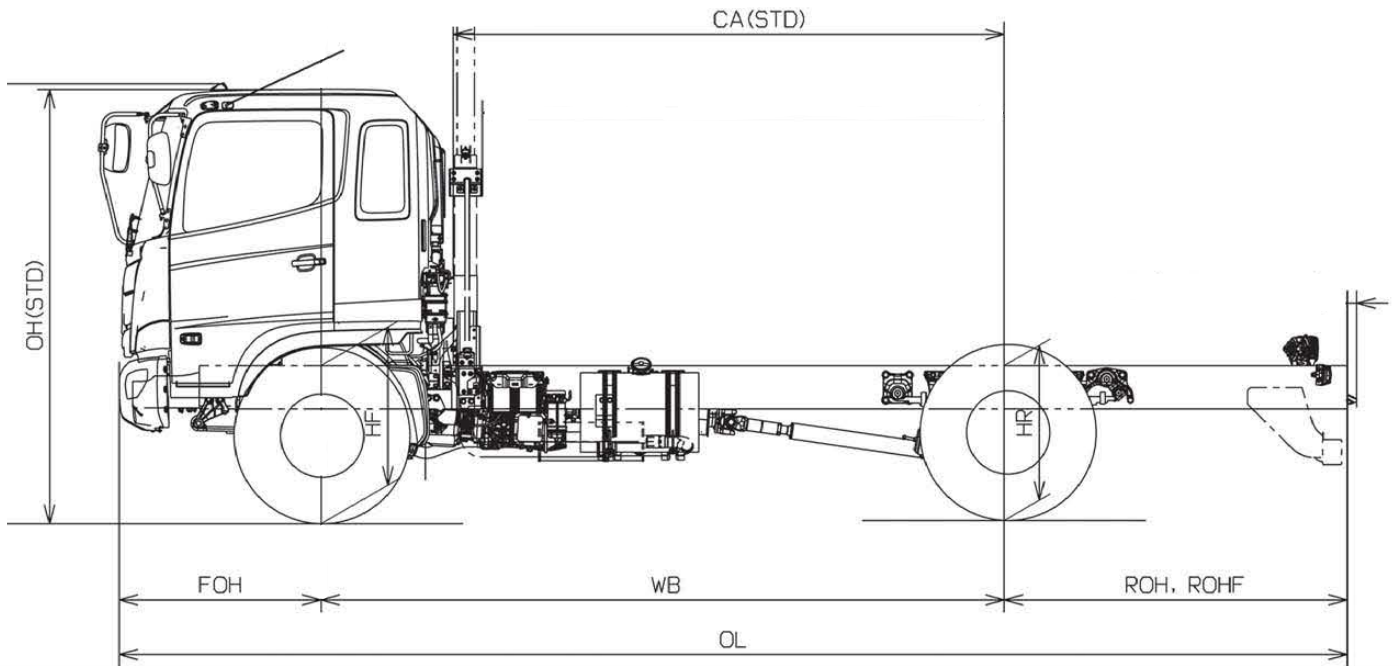
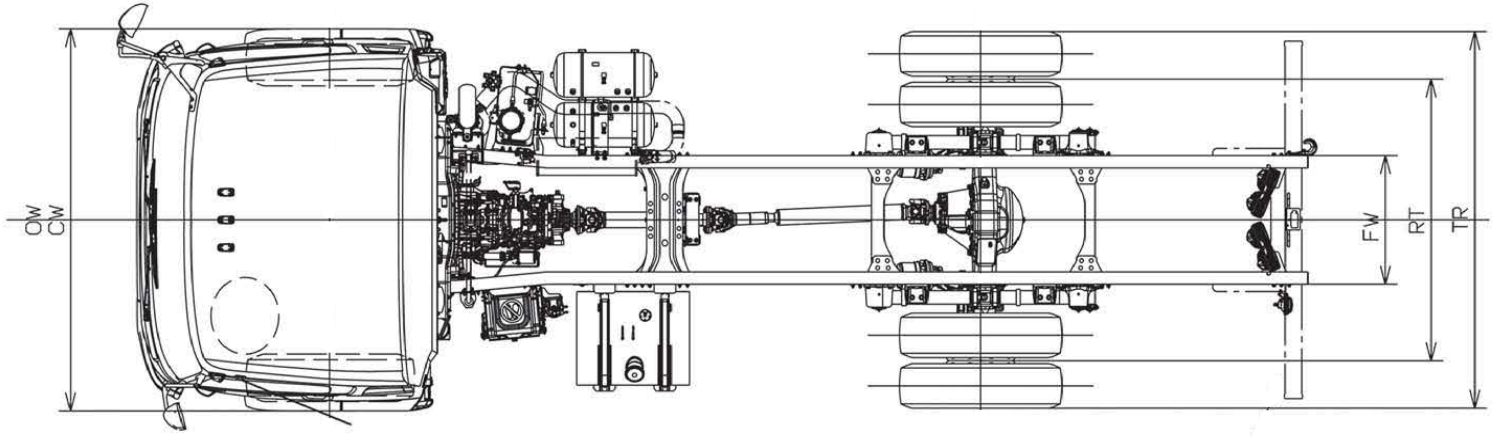
RATINGS & AXLE LOAD LIMIT (KG)

	GVM	Front Axle	Rear Axle
Ratings	19000	7500	11500
Axle Load Limit	Front : 315/80R22.5 Rear : 295/80R22.5	7500	11500

ELECTRICAL EQUIPMENT

Batteries	24 V, 65 Ah (234 kC) at 20-hour rate, 65D23L
Battery Cover	Equipped (full cover)
Alternator	24 V, 60 A
Starter	24 V, 4.5 kW
Headlight	Halogen Type
Position Light	Equipped (with Parking Light Mode)
Turn Signal Light (front)	Equipped
Stop, Turn, Tail light	Equipped (EC type)
Back-up Buzzer	Equipped
Diagnoses Connector	Equipped
Horn	Electric Type, Single

Note: All Specifications of the products are with Normal Manufacturing allowances and tolerances, Hino Motos, Ltd. Reserves the right to alter specifications at any time without prior notice, Figures of axle capacity can be changed by the operating conditions and specifications of equipments concerned



Strong Product Support

دعم قوي لمنتجاتنا

الضمان
سنتان أو ٢٠٠,٠٠٠ كم



WARRANTY
2 YEARS or 200,000 KMs

جودة خدمة هينو



HINO
QUALITY SERVICE

قطع غيار هينو الاصلية



HINO GENUINE PARTS

فئات مختلفة من
عقود الصيانة



VARIOUS CATEGORIES OF
SERVICE CONTRACTS

الدعم الكلي



TOTAL
SUPPORT

TSUSHO JAMJOOM

92 000 95 44

/HINOTrucksKSA

/HinoTrucksSaudiArabia

الدمام
٩٠٥٨ طريق الملك فهد
حي القشلة الظهران
٣٤٢٣٢-٣٦٩١

الرياض
٤٧٨٢ طريق خريص
حي النهضة الرياض
١٣٢٢١-٥١٠٩

المدينة المنورة
٣٢٠٥ طريق المطار حي
الدوبخلة المدينة المنورة
٤٢٣٦٨-٨٦٠٨

خميس مشيط
٥٢٩٨ طريق الملك فهد
حي أم سرور خميس مشيط
٦٢٤٦١-٧٥٦٧

جدة
٧٩٤٢ شارع مدائن الفهد
حي النزلة الشرقية
٢٢٣٣٥-٣٦٩١

