

# HINO

# 7000 Series

# SH - 2045



\*Image may contain items not standard to the model

4 x 2 Tractor Head

## KEY FEATURES

- Emission Level: Euro 3 Standard
- Antilock Braking System (ABS)
- Full Air brake
- Side Door Beams
- Telescopic and Tilt Steering Column
- AM/FM Radio
- Overhead console

## KEY SPECIFICATIONS

GVM/GCM . . . . .	19,500/45,500kg
Power . . . . .	450hp/331kW
Torque. . . . .	1,912Nm
Transmissions . . . . .	16 speeds Manual
Wheelbases mm . . . . .	3,480
Overall Lengths mm . . . . .	5,935

## ENGINE

Model	HINO E13C-TR
Maximum Power	331kW (450 PS) at 1,800 r/min (ISO NET)
Maximum Torque	1,912 Nm (195 kgfm) at 1,100 r/min (ISO NET)
Maximum Engine Speed	2,150 r/min
Type	Diesel, Turbocharged and intercooled, 4-cycle, Vertical, 6-Cylinder, overhead camshaft, water-cooled
Combustion system	Direct Injection Type
Bore & stroke	137 x 146 mm
Piston displacement	12.913 L
Compression Ratio	17.5
Engine Oil Capacity	37.0 L
Fuel Injection System Type	Electronic Control Common Rail Type with aneroid Compensator
Intake System	Stack type air intake, paper element
Exhaust Tail	Cubic Tail Type
Air compressor	Single Cylinder, Water-Cooled, 95 x 70 mm Bore and Stroke

## TRANSMISSION, PERFORMANCE & GEAR RATIOS

Model	ZF, sixteen forward and two reverse speeds, direct-drive, synchromesh 1st - 16th	
Control	Mechanical control with power shift	
Max speed (km/h)	114	
Gradeability tanθ (%)	51.2	
Transmission Gear Ratio (:1)	Model	ZF 16S2330TD
	1	16.407 / 13.804
	2	11.276 / 9.487
	3	7.760 / 6.529
	4	5.426 / 4.565
	5 (High/Low)	3.594 / 3.023
	6	2.470 / 2.078
	7	1.700 / 1.430
	8	1.188 / 1.000
	Rev.	15.360 / 12.923
Rear axle	Model	SH19
	Gear Ratio (:1)	3.727

## SERVICE BRAKE

Type	Full air, dual circuit, "S" cam type, leading and trailing shoes for front and rear wheels
Wheel Brake Ass'y Drum Diameter x Lining Width	Front : 406.4 x 152 mm Rear : 406.4 x 216 mm
ABS (Antilock Brake System)	Equipped (Without ASR)
Air Dryer	Equipped (Without heater)

## PROPELLER SHAFT

Propeller Shaft Ass'y T/M ~ R/A	Tube Type
Universal Joints	Round Bearing Type

## CLUTCH

Type	Dry Single Plate with damper Springs, automatic gap adjuster
Clutch Disc Ass'y	CS-430 series
Facing Material	Mold (non-Asbestos)
Facing Outside Diameter	430 mm
Clutch Cover Ass'y	DSP-430 series
Control	Hydraulic with Air Booster

## TRAILER EQUIPMENTS

Trailer Hand Brake	Equipped
Trailer Connection	SAE 7-way electrical socket and glad-hands (service and emergency air line) with trailer hoses

## RETARDER

Type	Hino engine Retarder
------	----------------------

## STEERING

Type	Telescopic and tilt steering column with locking device, recirculating ball with hydraulic booster integral Type
Gear Ratio	23.4 - 25.2

## FUEL TANK & SUPPLY

Capacity (Litre)	390
Fuel pre-Filter and sedimenter	Equipped

## SECONDARY & PARKING BRAKE

Type	Spring brake acting on rear wheels, for emergency and parking purpose
------	---

## CHASSIS FRAME

Type	Ladder-Shaped Channel Section Side Rails
Rear Fender	Equipped
Front Underrun Protector	Equipped
Max. Section (depth x flange x thickness)	279 x 90 x 9.0 mm
Chassis width (at rear)	840 mm
Tensile Strength	620 N/mm <sup>2</sup> (63 kgf/mm <sup>2</sup> )
Tow Hook	Equipped (Front)

## WHEEL & TIRE

Wheel Type	10-stud disc wheel (ISO type)
Rim Size	7.50V x 20 - offset 165 mm
Tire Size	11.00R20-16-150/146
Number of Tires	7 including 1 Spare tire
Spare Tire Carrier	Equipped (Rear End)

## CAB

Type	Forward control, all steel welded construction, full floating cab suspension (front: air, Rear: coil) with hand-operated oil-pump tilting mechanism
Seating capacity	Two
Driver's Seat	4-way adjustable driver seat, Urethane foam pads, High-back
Instrument Panel Center Cluster	Dark Grey Color
Seat Cover	Fabric
Seat Belt	3-point type on driver's and assistant's seat
Sunvisor	Equipped (Driver Side)
Door Pocket	Equipped (both Sides)
Outside Mirror	Equipped (EC type)
Cab Trim	Semi Trim (side and roof)
Car Audio	AM/FM Radio
Heater and Defroster	Equipped (with Warm up Switch)
Air Conditioner	Equipped
Air inlet Filter	Mesh Type
Windshield wiper	2-Speed with Wash and Intermittent Feature
Outside Rear View Mirrors	EC type, Long stay with Arabic Caution
Mirror Stay	Door Mounting
Overhead Console	Equipped (Driver Side)
Floor Mat	Vinyl type
Assistant's Seat	Reclining seat, Urethane foam pads, High-back
Cab Step	Equipped
Ash Tray	Equipped (Driver Side)
Fire Extinguisher	Equipped
Cab Pocket	Equipped (Door Pocket)
Ventilator	Forced Type by Electric Blower

## AXLE & SUSPENSION

FRONT	Front Axle Ass'y	MF78L Series
	Front Axle Type	Revered Elliot, "I" Section Beam
	Front Suspension Type	Semi-elliptic tapered leaf springs with double acting shock absorbers and stabilizer
	Dimensions of Springs	Span : 1,700 mm, Width : 90 mm
REAR	Rear Axle Type	Full-Floating, Single Reduction, Single Speed by hypoid Gearing
	Rear Suspension Type	Semi-elliptic main and auxiliary tapered leaf springs with double acting shock absorbers
	Dimensions of Main Springs	Span : 1,560 mm, Width : 90 mm
	Dimensions of Auxiliary Springs	Span : 1,030 mm, Width : 90 mm

## RATINGS & AXLE LOAD LIMIT (KG)

	GVM	GCM	Front Axle	Rear Axle
Ratings	19500	45500	7500	13000
Axle Load Limit	11.00R20-16-150/146		6700	12000

## CHASSIS DIMENSIONS (MM)

All dimensions are to standard specifications and unladen chassis (with fifth wheel)

Model Description	HINO 72045
Product Code	SH1EESA-RAP
Application	For Semi Tractor
Cab Type	Standard Roof
Wheelbase (WB)	3480
Overall length (OL)	5935
Overall width (OW)	2550
Overall height (OH)	3030
Kingpin offset (KO)	415
Front Fitting Radius (FFR)	2130
Lower Fitting Radius (LFR)	1675
Fifth wheel height (FWH) (kingpin size:2 inch)	1325
Front Chassis Height (HF)	1000
Rear Chassis height (HR)	1075
Road Clearance (at diff. case) (RC)	240
Front Tread (FT)	2050
Rear Tread (RT)	1820
Turning Radius on tire	6200
Turning Radius wall to wall	7100

## CHASSIS MASS (KG):

Chassis mass quoted is to standard specifications with spare tire and standard tool set (With Fifth Wheel)

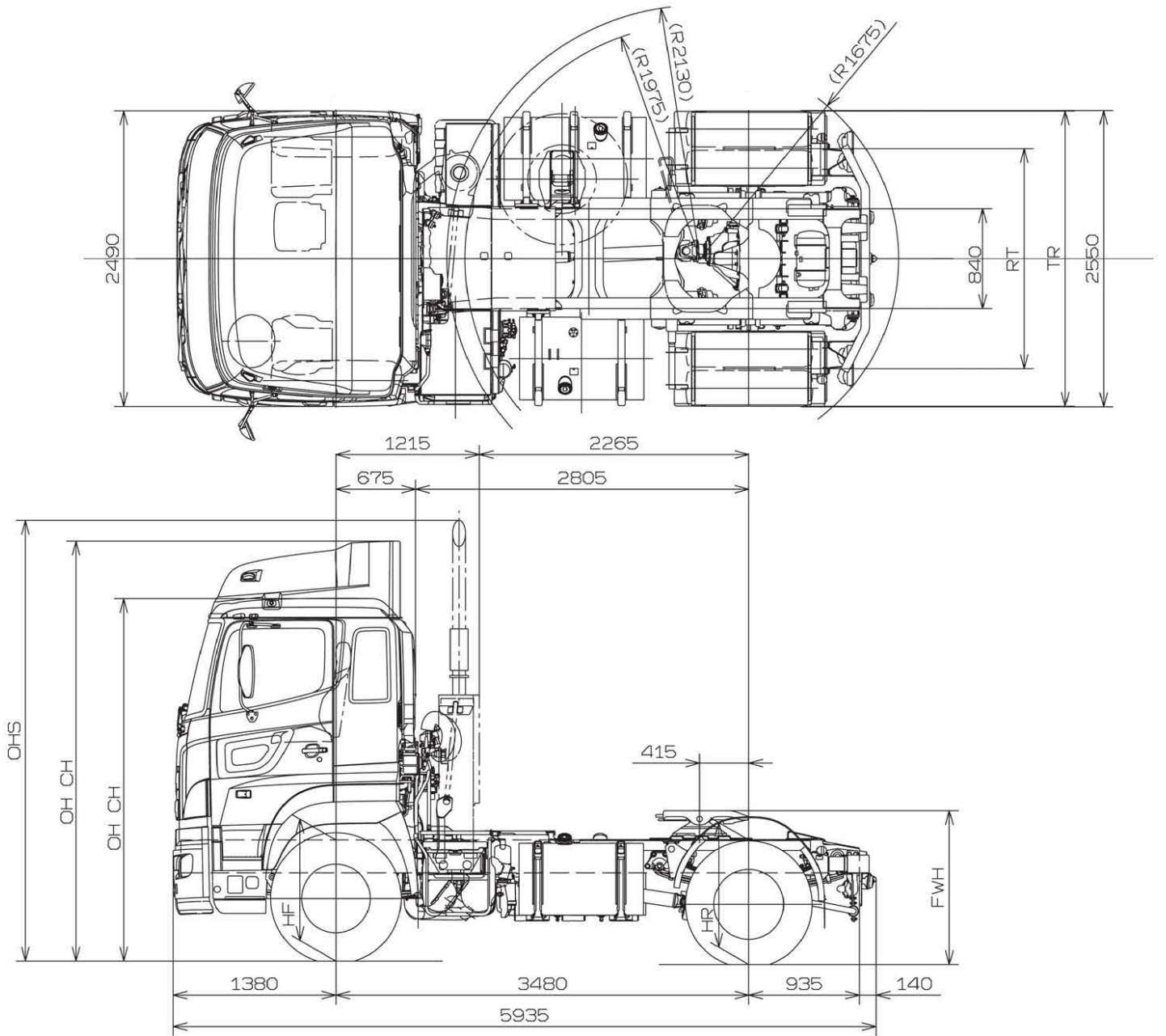
Fuel: Full	
Total	6880 / (7080)
Front	4595 / (4620)
Rear	2285 / (2460)
Fifth Wheel Capacity	10800

## ELECTRICAL EQUIPMENT

Type	24V, Negative Earth
Batteries, Number per vehicle capacity	12 V x 2, series-connection 120 A·h {432 kC} at 20-hour rate
Alternator	With built-in rectifier and voltage regulator, 24 V, 60 A
Starter	Pinion shift, 24 V, 6.0 kW
Lights	Headlight Directional indicator and hazard light Side flasher light Map light Step light Stop/Tail light Back-up light Cornering light Front end-outline Marker light Rear end-outline Marker light Work light
Horn	Electric Type, Single
Back up buzzer	Equipped

## INSTRUMENTS

Meter and Gauges	KM/KG System	Speedometer Odometer with trip meter Tachometer Fuel gauge Coolant temperature gauge Air pressure gauge
Warning, pilot lamps and buzzers		Engine oil pressure warning lamp and buzzer Air pressure warning lamp and buzzer Battery discharge warning lamp High beam indicator lamp Turn signal indicator lamp Parking brake indicator lamp Coolant level warning lamp and buzzer Trailer brake pilot lamp Engine retarder indicator lamp ABS warning lamp Seat belt warning lamp and buzzer Engine over-run warning buzzer Check engine warning lamp Fuel filter water level warning lamp
Switches		Lighting switch Directional indicator, dimmer and passing switch Wiper and washer switch Hazard light switch Warning light check switch Map light switch Parking light switch
Others		One-key starting-stopping Throttle control knob Horn button



### Strong Product Support

### دعم قوي لمنتجاتنا

الضمان  
سنتان أو ٢٠٠,٠٠٠ كم



WARRANTY  
2 YEARS or 200,000 KMs

جودة خدمة هينو



HINO  
QUALITY SERVICE

قطع غيار هينو الاصلية



HINO GENUINE PARTS

فئات مختلفة من  
عقود الصيانة



VARIOUS CATEGORIES OF  
SERVICE CONTRACTS

الدعم الكلي



TOTAL  
SUPPORT

TSUSHO JAMJOOM

92 000 95 44

/HINOTrucksKSA

/HinoTrucksSaudiArabia

الدمام  
٩٠٥٨ طريق الملك فهد  
حي القشلة الظهران  
٣٤٢٣٢-٣٦٩١

الرياض  
٤٧٨٢ طريق خريص  
حي النهضة الرياض  
١٣٢٢١-٥١٠٩

المدينة المنورة  
٣٢٠٥ طريق المطار حي  
الدويرة المدينة المنورة  
٤٢٣٦٨-٨٦٠٨

خميس مشيط  
٥٢٩٨ طريق الملك فهد  
حي أم سرور خميس مشيط  
٦٢٤٦١-٧٥٦٧

جدة  
٧٩٤٢ شارع مدائن الفهد  
حي النزلة الشرقية  
٢٢٣٣٥-٣٦٩١

