

HINO

700 Series

ZS - 4041



*Image may contain items not standard to the model

6 x 4 Cab Chassis

KEY FEATURES

- Emission Level: Euro 3 Standard
- Antilock Braking System (ABS)
- Full Air brake
- Side Door Beams
- Telescopic and Tilt Steering Column
- AM/FM Radio
- Overhead console

KEY SPECIFICATIONS

GVM	39,500kg
Power	410hp/302kW
Torque.	1,618Nm
Transmissions	16 speeds Manual
Wheelbases mm	4,145 + 1,500
Overall Lengths mm	8,235

ENGINE

Model	HINO E13C-TL
Maximum Power	302kW (410 PS) at 1,800 r/min (ISO NET)
Maximum Torque	1,618 Nm (165 kgfm) at 1,100 r/min (ISO NET)
Maximum Engine Speed	2,150 r/min
Type	Diesel, Turbocharged and intercooled, 4-cycle, 6-Cylinder, overhead camshaft, water-cooled
Combustion system	Direct Injection Type
Bore & stroke	137 x 146 mm
Piston displacement	12.913 L
Compression Ratio	17.5
Engine Oil Capacity	37.0 L
Fuel Injection System Type	Electronic Control Common Rail Type
Intake System	Dual paper element and pre-cleaner
Exhaust Tail	Short Tail Type
Air compressor	Single Cylinder, Water-Cooled, 85 x 60 mm Bore and Stroke

TRANSMISSION, PERFORMANCE & GEAR RATIOS

Calculations based in 39.5 ton GVM

Model	ZF, sixteen forward and two reverse speeds, direct-drive, synchromesh 1st - 16th	
Control	Mechanical control with power shift	
Max speed (km/h)	99	
Gradeability tanθ (%)	60	
Transmission Gear Ratio (:1)	Model	ZF 16S1830
	1	13.804 / 11.539
	2	9.487 / 7.930
	3	6.529 / 5.458
	4	4.565 / 3.816
	5 (Low/High)	3.023 / 2.527
	6	2.078 / 1.737
	7	1.430 / 1.195
	8	1.000 / 0.835
	Rev.	12.923 / 10.803
Rear axle	Model	THD18
	Gear Ratio (:1)	5.857

SERVICE BRAKE

Type	Full air, dual circuit, "S" cam type, leading and trailing shoes for front and rear wheels
Wheel Brake Ass'y Drum Diameter x Lining Width	Front : 440 x 127 mm Rear : 440 x 203 mm
ABS (Antilock Brake System)	Equipped (Without ASR)
Air Dryer	Equipped (Without heater)
Brake Blending System	Equipped

STEERING

Type	Telescopic and tilt steering column with locking device, recirculating ball with hydraulic booster integral Type
Gear Ratio	21.4 - 23.8

FUEL TANK & SUPPLY

Capacity (Litre)	300 L
Fuel pre-filter and sedimenter	Equipped

CLUTCH

Type	Dry Single Plate with damper Springs, automatic gap adjuster
Clutch Disc Ass'y	CS-430 series
Facing Material	Mold (non-Asbestos)
Facing Outside Diameter	430 mm
Clutch Cover Ass'y	DSP-430 series
Control	Hydraulic with Air Booster

PROPELLER SHAFT

Propeller Shaft Ass'y T/M ~ R/A R/A ~ R/A	Tube Type
Universal Joints	Round Bearing Type

INSTRUMENTS

Meter and Gauges	KM/KG System	Speedometer
		Odometer with trip meter
		Tachometer
		Fuel gauge
		Coolant temperature gauge
Switches	Air pressure gauge	
	Lighting switch	
	Directional indicator, dimmer and passing switch	
	Wiper and washer switch	
	Hazard light switch Warning light check switch	
Others	Map light switch	
	Differential lock switch	
	Parking light switch	
	One-key starting-stopping	
	Throttle control knob	
Horn button		

RATINGS & AXEL LOAD LIMIT (KG)

	GVM	Front Axle	Rear Axle
Ratings	39500	8000	32000
Axle Load Limit	325/95R24-162/160	8000	32000

SECONDARY & PARKING BRAKE

Type	Spring brake acting on rear wheels, for emergency and parking purpose
------	---

CHASSIS FRAME

Type	Ladder-Shaped Channel Section Side Rails
Max. Section (depth x flange x thickness)	302 x 88 x 9.0 mm
Chassis width (at rear)	850 mm
Tensile Strength	540 N/mm ² (55 kgf/mm ²)
Hook	Equipped (Front)

WHEEL & TIRE

Wheel Type	6 spoke (Trilix type)
Rim Size	24 x 8.50 - offset 182 mm
Tire Size	325/95R24-162/160
Number of Tires	10

RETARDER

Type	Hino engine Retarder
------	----------------------

CAB

Type	Forward control, all steel welded construction, full floating cab suspension (front: air, Rear: coil) with hand-operated oil-pump tilting mechanism
Seating capacity	Two
Driver's Seat	Urethane foam pads, high-back, arm rest, lumbar support, 4-way adjustable seat
Seat Cover	Fabric
Seat Belt	3-point type on driver's and assistant's seat
Grab Handle (interior)	Equipped (driver 1 + passenger 1)
Sunvisor	Two for Drivers and Assistant
Door Pocket	Equipped (both Sides)
Outside Mirror	Equipped (EC type)
Cab Trim	Semi Trim (side and roof)
Car Audio	AM/FM Radio
Heater and Defroster	Equipped (with Warm up Switch)
Air Conditioner	Equipped
Air inlet Filter	Mesh Type
Windshield wiper	Electric, triple, intermittent and 2-speed
Outside Rear View Mirrors	EC type, Long stay with Arabic Caution
Mirror Stay	Door Mounting
Overhead Console	Equipped (Both Sides)
Floor Mat	Vinyl type
Assistant's Seat	Reclining seat, Urethane foam pads, High-back
Cab Step	Equipped
Ash Tray	Equipped (driver Side)
Fire Extinguisher	Equipped
Cab Pocket	Equipped (Door Pocket)
Air Suspension Seat	Equipped (Driver Side)
Ventilator	Forced Type by Electric Blower

AXLE & SUSPENSION

FRONT	Front Axle Ass'y	MF88SL Series
	Front Axle Type	Reveresd Elliot, "I" Section Beam
	Front Suspension Type	Semi-elliptic leaf springs with shock absorbers
	Dimensions of Springs	Span : 1,700 mm Width : 90 mm
REAR	Rear Axle Type	Tandem axle, dual drive with inter axle differential lock, full floating single reduction, single speed by hypoid gearings
	Rear Suspension Type	Semi-elliptic leaf springs with torque rods
	Dimensions of Main Springs	Span : 1,500 mm Width : 90 mm

CHASSIS MASS (KG):

Chassis mass quoted is to standard specifications with spare tire and standard tool set

Total	9730
Front	4855
Rear	4875

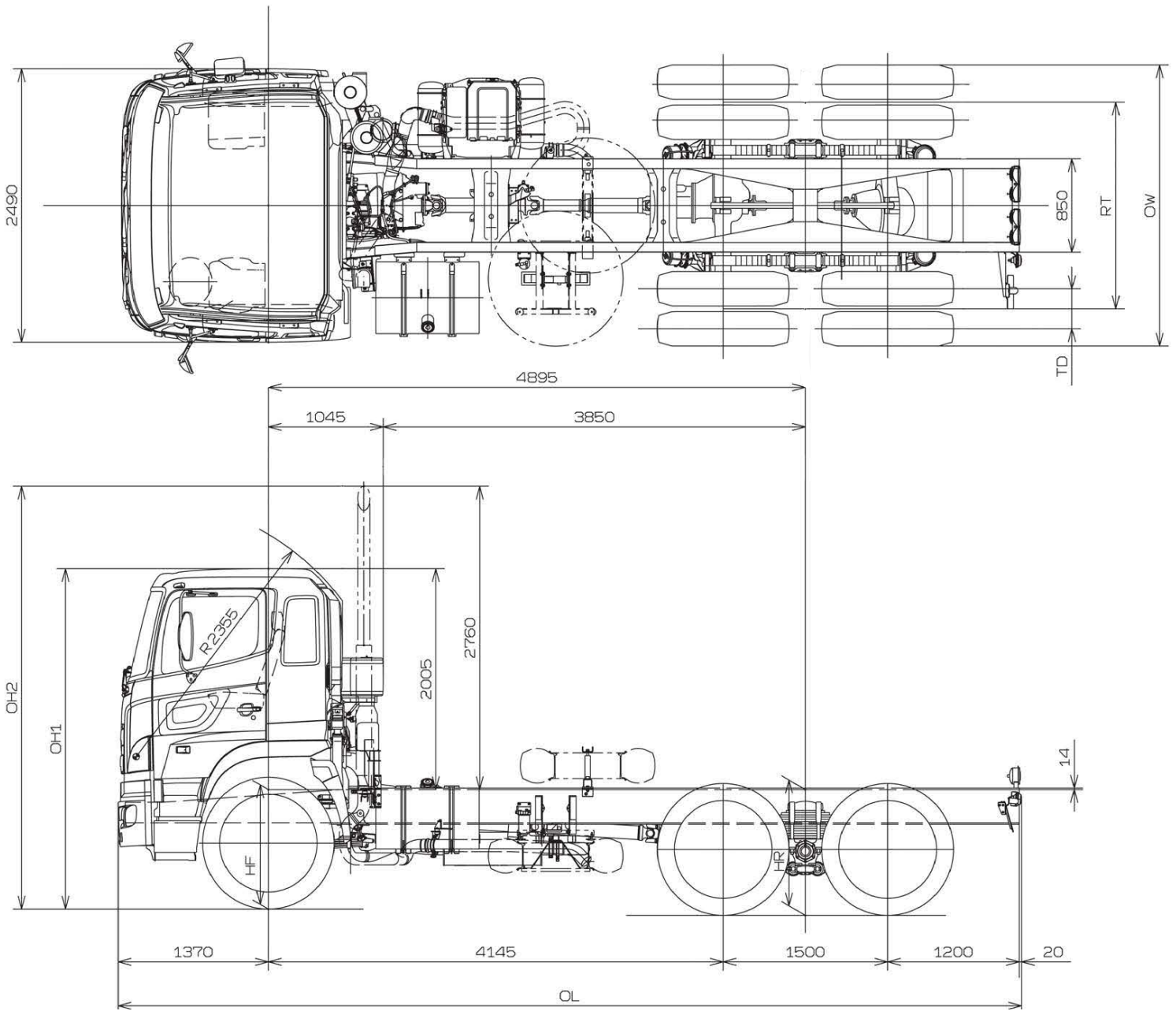
CHASSIS DIMENSIONS (MM)

All dimensions are to standard specifications and unladen chassis

Model Description	HINO 74041
Product Code	ZS1EPVA-VRP
Application	For Dump
Exhaust Tail	Short Tail
Wheelbase (WB)	4,145 + 1,500
Overall length (OL)	8235
Overall width (OW)	2570
Overall height (OH)	3210
Cab to axle center	3850
Rear Overhang (at frame end)	1200
Front Chassis Height (HF)	1200
Rear Chassis height (HR)	1240
Road Clearance (at diff. case) (RC)	335
Front Tread (FT)	2090
Rear Tread (RT)	1880
Turning Radius on tire	11100
Turning Radius wall to wall	11700

ELECTRICAL EQUIPMENT

Type	24V, Negative Earth
Batteries, Number per vehicle capacity	12 V x 2, series-connection 120 A·h (432 kC) at 20-hour rate
Alternator	With built-in rectifier and voltage regulator, 24 V, 60 A
Starter	Pinion shift, 24 V, 6.0 kW
Lights	Headlight Directional indicator and hazard light Side flasher light Map light Step light Stop/Tail light Back-up light Cornering light Front end-outline marker light Rear end-outline marker light Work light
Horn	Electric Type
Back up buzzer	Equipped
Warning, pilot lamps and buzzers	Engine oil pressure warning lamp and buzzer
	Air pressure warning lamp and buzzer
	Battery discharge warning lamp
	High beam indicator lamp
	Turn signal indicator lamp
	Parking brake indicator lamp
	Coolant level warning lamp and buzzer
	Differential lock indicator lamp
	Engine over-run warning buzzer
	Check engine warning lamp
	Seat belt warning lamp
Engine retarder indicator lamp	
Fuel filter water level warning lamp	
Transmission splitter range indicator lamp	
Turbo boost warning lamp	
Engine oil filter warning lamp	



Strong Product Support

دعم قوي لمنتجاتنا

الضمان
سنتان أو ٢٠٠,٠٠٠ كم



WARRANTY
2 YEARS or 200,000 Kms

جودة خدمة هينو



HINO
QUALITY SERVICE

قطع غيار هينو الاصلية



HINO GENUINE PARTS

فئات مختلفة من
عقود الصيانة



VARIOUS CATEGORIES OF
SERVICE CONTRACTS

الدعم الكلي



TOTAL
SUPPORT

TSUSHO JAMJOOM

92 000 95 44



/HINOTrucksKSA

/HinoTrucksSaudiArabia

الدمام
٩٠٥٨ طريق الملك فهد
حي القشلة الظهران
٣٤٢٣٢-٣٦٩١

الرياض
٤٧٨٢ طريق خريص
حي النهضة الرياض
١٣٢٢١-٥١٠٩

المدينة المنورة
٣٢٠٥ طريق المطار حي
الدويخلة المدينة المنورة
٤٢٣٦٨-٨٦٠٨

خميس مشيط
٥٢٩٨ طريق الملك فهد
حي أم سرور خميس مشيط
٦٢٤٦١-٧٥٦٧

جدة
٧٩٤٢ شارع مدائن الفهد
حي النزلة الشرقية
٢٢٣٣٥-٣٦٩١

